

**NOTES:**

**MATERIAL:**

1. HOUSING MATERIAL :GLASS FILLED POLYESTER(U194V-0).
2. CONTACT MATERIAL :PHOSPHOR BRONZE T=0.35mm (C5100).
3. PLATING :GOLD PLATING OVER NICKEL.
4. SHIELD: COPPER ALLOY 0.20mm THICKNESS PLATING NI.

**ELECTRICAL:**

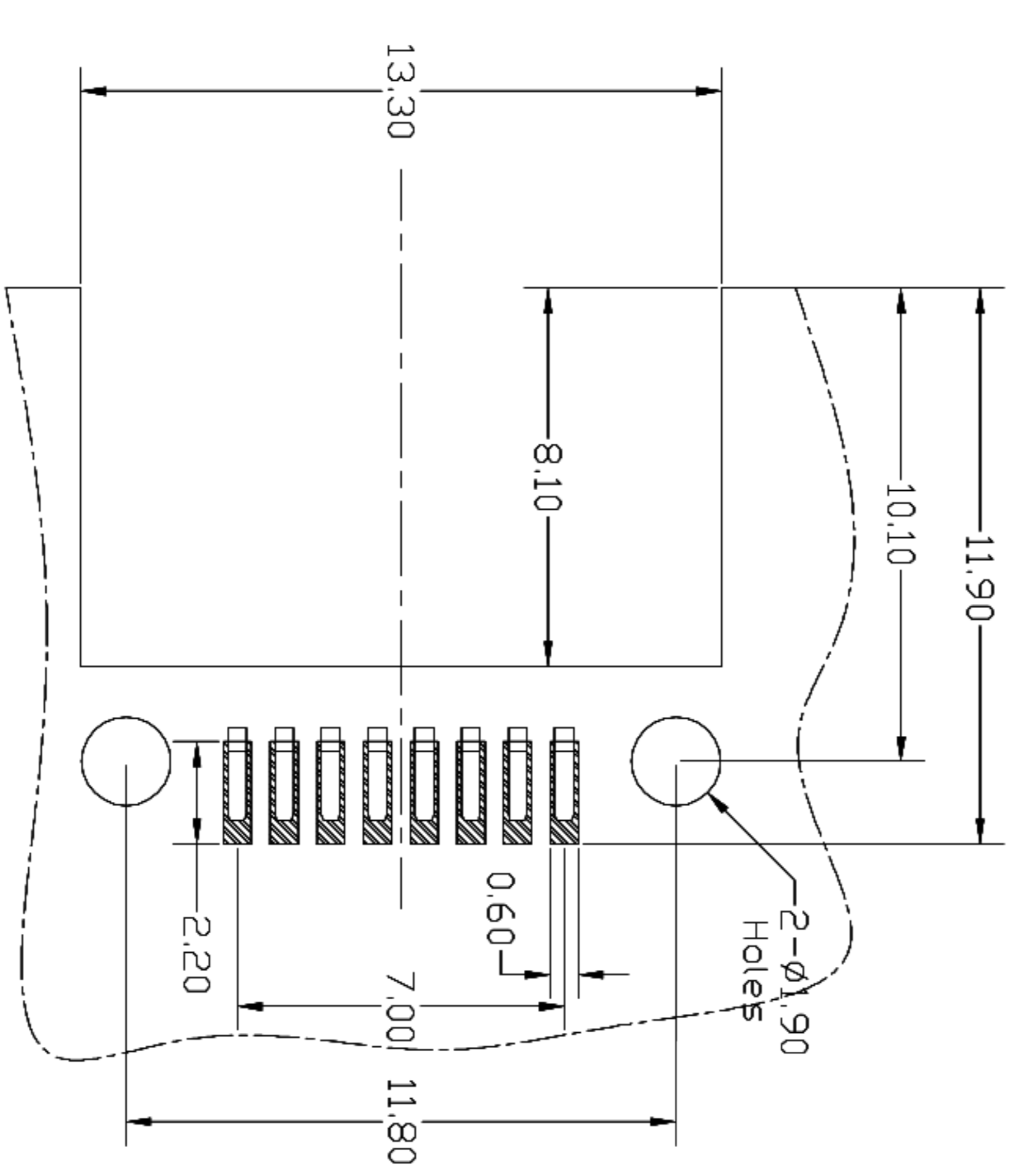
1. VOLTAGE RATING :125 VAC RMS.
2. CURRENT RATING :1.5 AMP.
3. CONTACT RESISTANCE :50 MILLIOHMS MAX.
4. INSULATION RESISTANCE :500 MEGOHMS MIN @ 500V DC.
5. DIELECTRIC WITHSTANDING RESISTANCE :1000V AC RMS 50HZ. 1MIN.

**MECHANICAL:**


1. DURRABILITY :750 CYCLES MIN.
2. PCB RETENTION PRE-SOLDER :1 LB MIN.

**ENVIRONMENTAL:**

1. STORAGE : -40°C TO +85°C.
  2. OPERATION : 0°C TO 70°C.
- MATES WITH MODULAR PLUG CONFORMING TO FCC PART 68,SUBPART F.



PC Board Layout  
Component Side Shown

APPROVALS		DATE		 <b>深圳市联丰电子有限公司</b> SHENZHEN LIANFENG ELECTRONIC CO.,LTD																	
DRAWN		ZHIWEICHEN				2015.07.07															
CHECKED				TITLE:																	
APPROVALS				PART NO.																	
TOLERANCES ARE		<table border="1"> <tr> <td>30°</td> <td>±0.30</td> <td>ANGLE</td> <td></td> </tr> <tr> <td>10°-30°</td> <td>±0.20</td> <td></td> <td></td> </tr> <tr> <td>5°-10°</td> <td>±0.15</td> <td></td> <td></td> </tr> <tr> <td>-5°</td> <td>±0.10</td> <td></td> <td></td> </tr> </table>		30°	±0.30	ANGLE		10°-30°	±0.20			5°-10°	±0.15			-5°	±0.10			R445-9W11-CDN-BB-88-B1 RJ CONNECTOR	
30°	±0.30	ANGLE																			
10°-30°	±0.20																				
5°-10°	±0.15																				
-5°	±0.10																				
DESCRIPTION.		NEW		SCALE: 1:1																	
ECN NO.		REV.		DATE.																	
CHANGE.		CHECK.		APPRO.																	
A				PROJ.																	
				SHEET 1 OF 1																	