

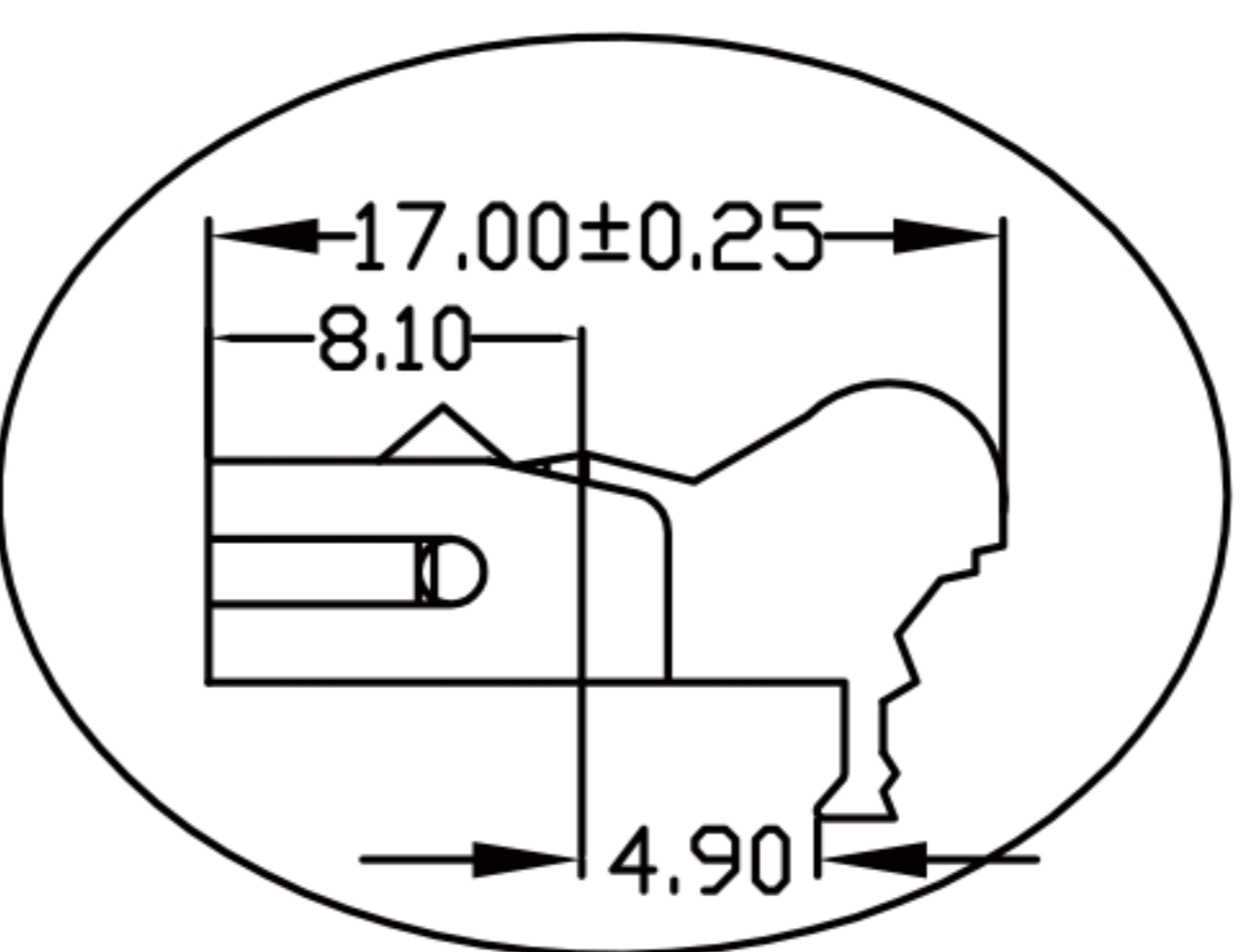
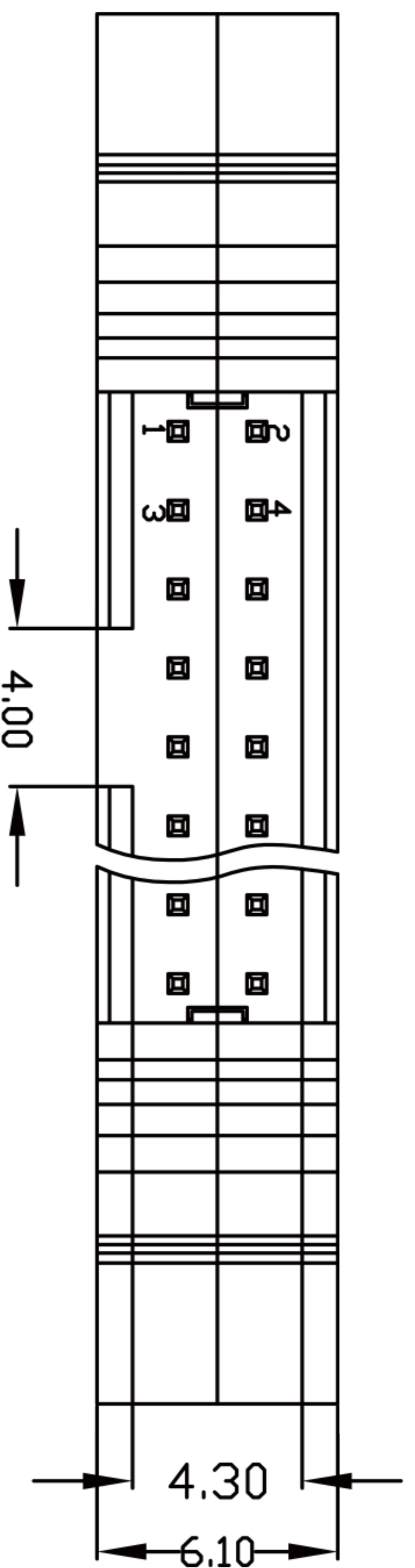
Specifications/备注 (Remark)

1-材料 (MATERIAL)

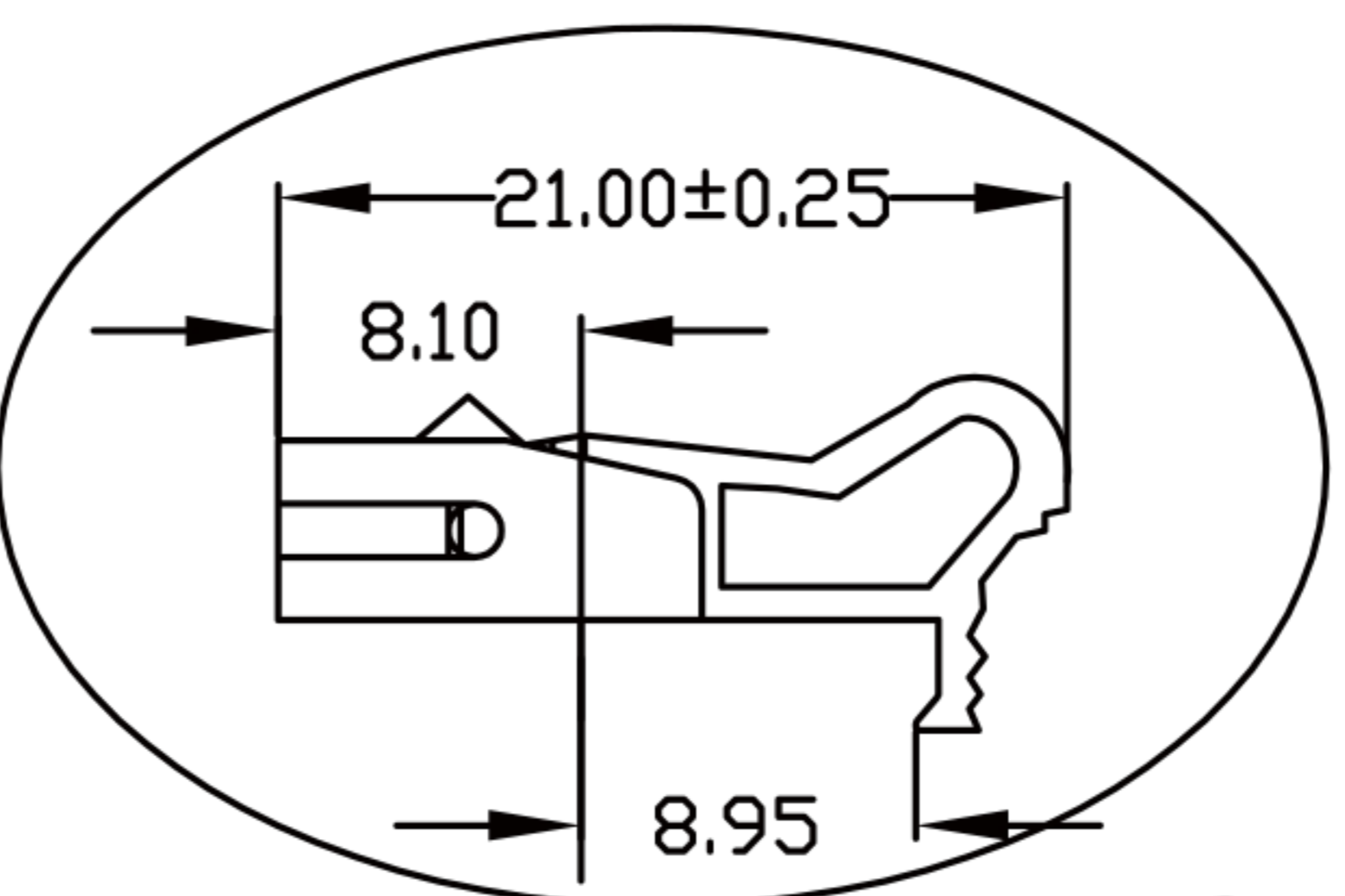
胶芯: PA6T/LCP+30%G.F UL94V-0, 颜色: 黑色  
 Housing: PA6T/LCP+30%G.F UL94V-0, Color: Black  
 四方针: 黄铜/镍底30u"MIN/表面镀金0.8u"MIN  
 Contact: Brass/0.8u"MIN GOLD PLATING  
 OVER ALL 30u"MIN NICKEL UNDERPLATING  
 OVER ALL

2-特性 (characteristics):

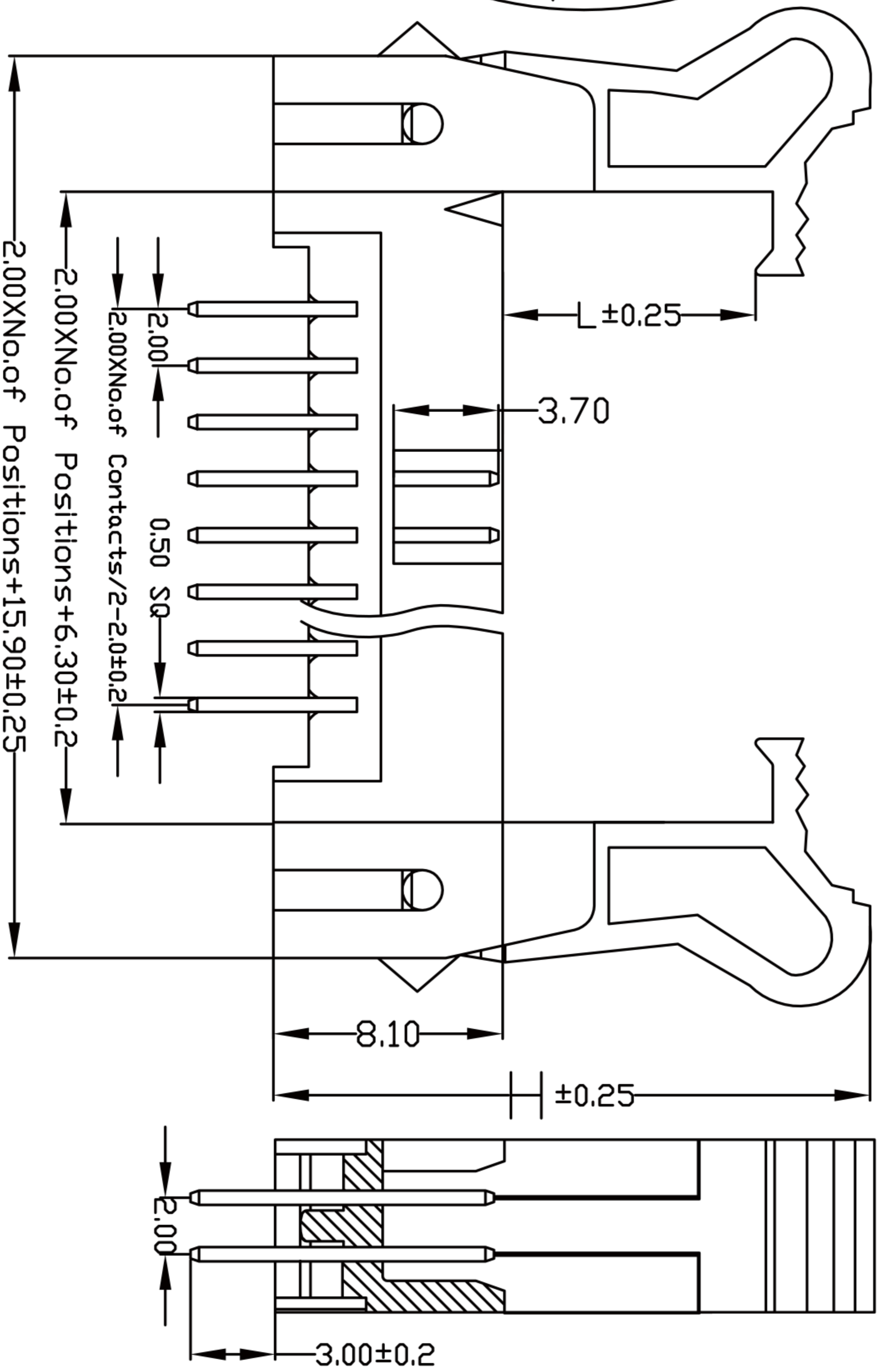
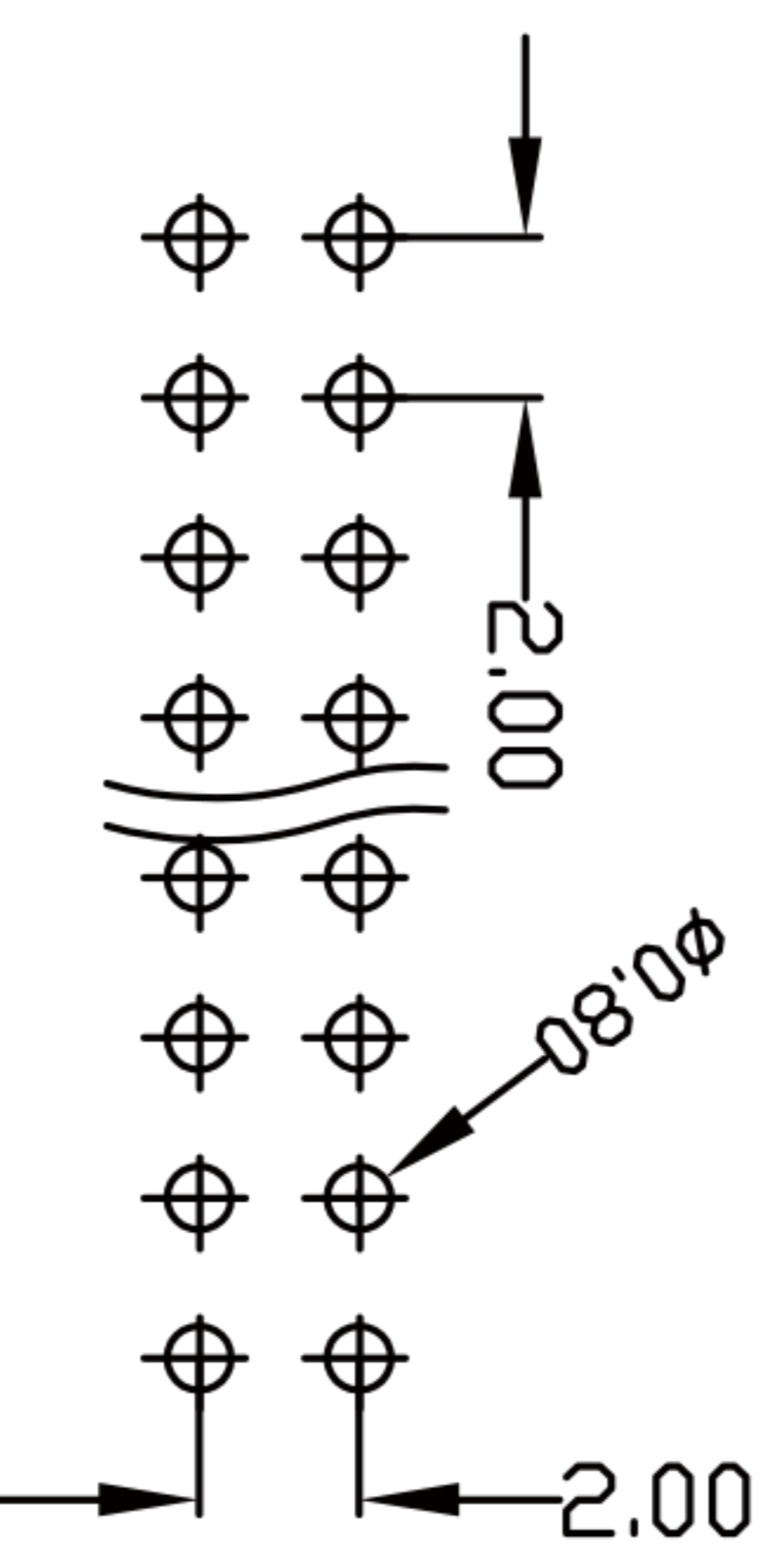
额定电流: 2 AMP  
 Raring Current: 2 AMP  
 接触阻抗: 20mΩ MAX.  
 Contact Resistance: 20mΩ MAX.  
 绝缘阻抗: 1000MΩMIN.  
 Insulating Resistance: 1000MΩMIN.  
 耐压: AC 500V.  
 Withstanding Voltage: AC 500V.  
 温度范围: -40度至+105度  
 Temperature Range: -40°C to +105°C



Short Latch



Long Latch



ECN NO.	REV.	DATE.	DESCRIPTION.	CHANGE.	CHECK.	APPRO.
	A		NEW			

APPROVALS		DATE	TITLE: 2.00mm牛角180度			
DRAWN	ZHIWEI.CHEN	2015.07.07	PART NO.	SCALE: 1:1	PROJ.	GP24-2023WV-2xNP
CHECKED			UNIT: mm			
APPROVALS			DRAWING NO.			
TOLERANCES ARE			ANGLE			
30~以上	±0.30		±2°			
10~30	±0.20					
5~10	±0.15					
~ 5	±0.10					

深圳市联丰电子有限公司  
 SHENZHEN LIENFENG ELECTRONIC CO.,LTD