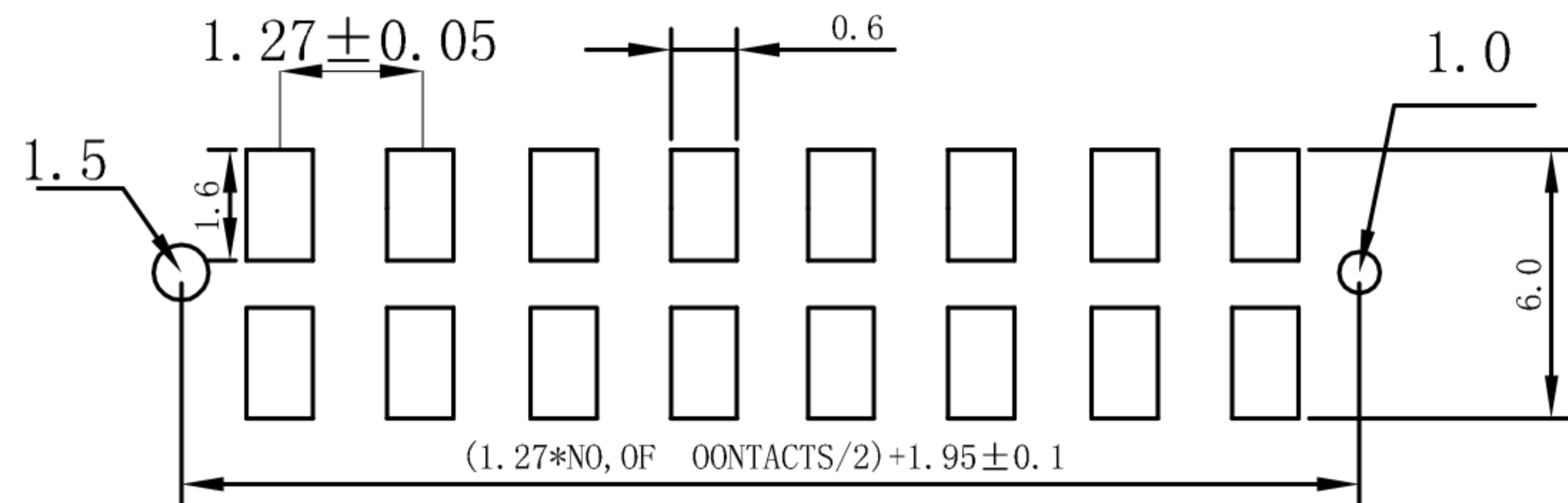
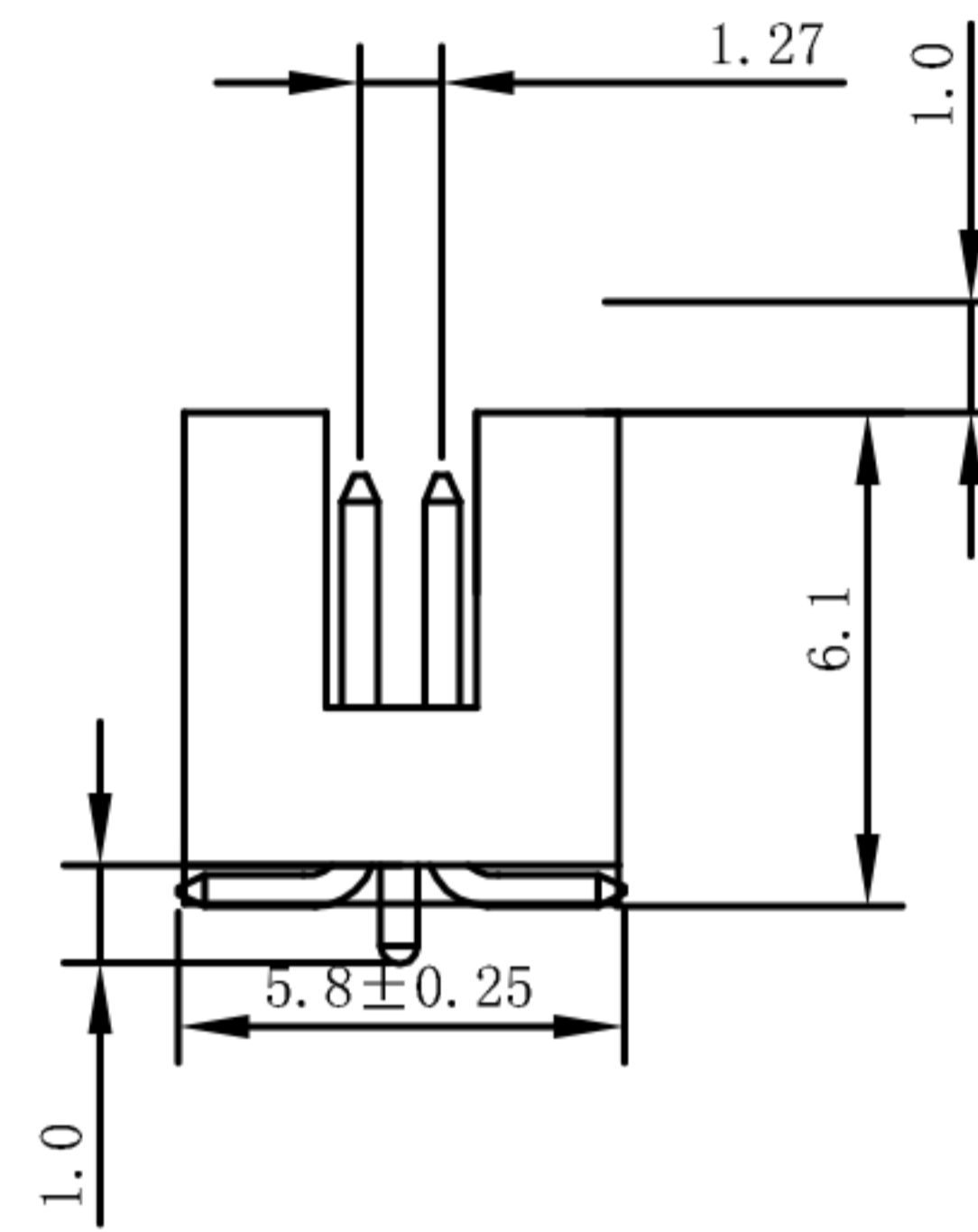
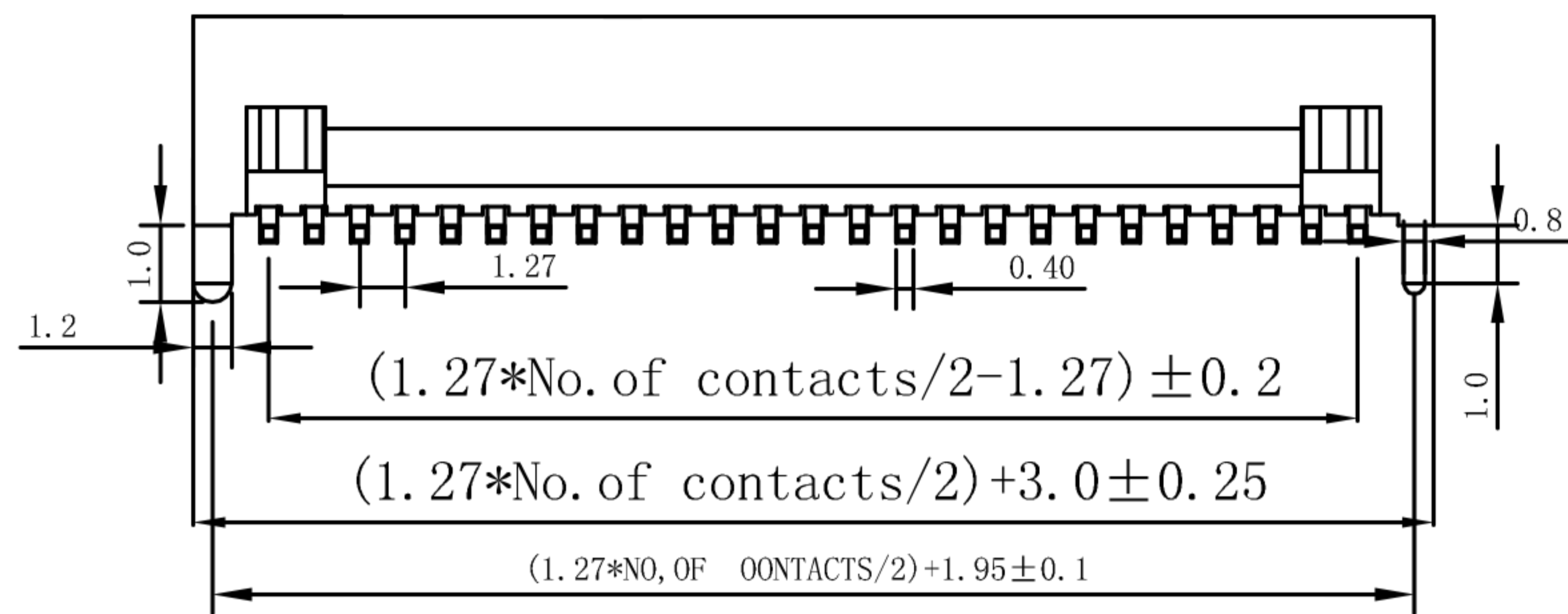
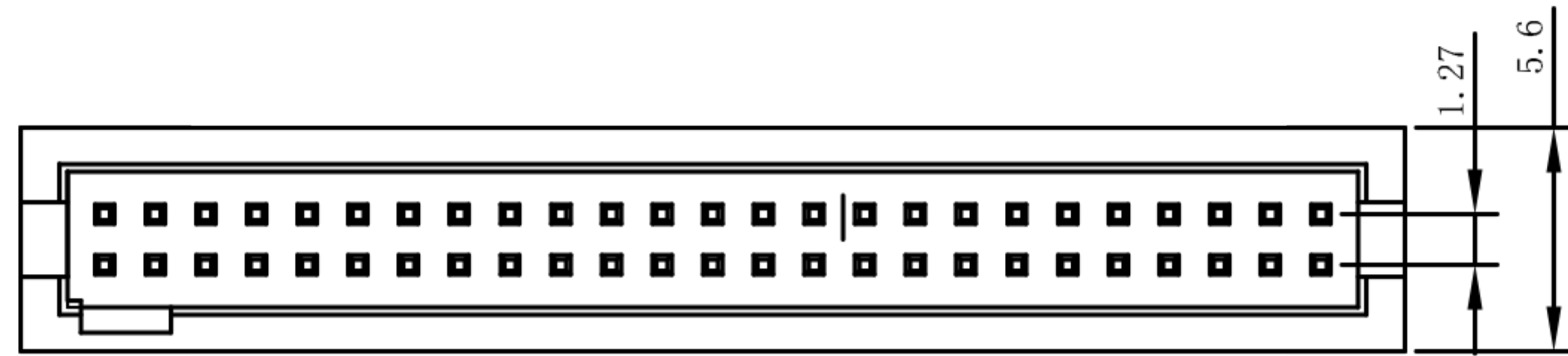


Current Rating: 2Amps  
 Insulator resistance: 5000 Megohms min.  
 Dielectric Withstanding: AC 500V  
 Operating Temperature: -40° C to +105° C  
 Insulator Material: PA6T  
 Plating: Gold flash  
 UNIT: MM

UNSPECIFIED TOLERANCE: ±0.20

Dimen Sions List

Contacts Per Row	A	B	Contacts Per Row	A	B
2*05	6.75	5.08	2*28	35.56	34.29
2*06	7.62	6.35	2*29	36.83	35.56
2*07	8.89	7.62	2*30	38.70	36.83
2*08	10.16	8.89	2*31	39.37	38.70
2*09	11.43	10.16	2*32	40.64	39.37
2*10	12.70	11.43	2*33	41.91	40.64
2*11	13.97	12.70	2*34	43.18	41.91
2*12	15.24	13.97	2*35	44.45	43.18
2*13	16.51	15.24	2*36	45.72	44.45
2*14	17.78	16.51	2*37	46.99	45.72
2*15	19.05	17.78	2*38	48.26	46.99
2*16	20.32	19.05	2*39	49.53	48.26
2*17	21.59	20.32	2*40	50.80	49.53
2*18	22.86	21.59	2*41	52.07	50.80
2*19	24.13	22.86	2*42	53.34	52.07
2*20	25.40	24.13	2*43	54.61	53.34
2*21	26.67	25.40	2*44	55.88	54.61
2*22	27.94	26.67	2*45	57.15	55.88
2*23	29.21	27.94	2*46	58.42	57.15
2*24	30.48	29.21	2*47	59.69	58.42
2*25	31.75	30.48	2*48	60.96	59.69
2*26	33.02	31.75	2*49	62.23	60.96
2*27	34.29	33.02	2*50	63.50	62.23



APPROVALS		DATE	深圳市联丰盈电子有限公司 SHENZHEN LINFENGYING ELECTRONIC CO.,LTD		
DRAWN	ZHIWEI.CHEN	2020.5.19	TITLE:	BOX HEADER PH1.27mm smt	
CHECKED			PART NO.	GP23-1272WVS-2xNP-L	
APPROVALS			UNIT: mm	SCALE: 1:1	PROJ:
TOLERANCES ARE			ANGLE	DRAWING NO.	SHEET 1 OF 1
	30~以上	±0.30	±2°		
	10~30	±0.20			
	5~10	±0.15			
	~ 5	±0.10			

ECN NO.	REV.	DATE.	DESCRIPTION.	CHANGE.	CHECK.	APPRO.
	A		NEW			