

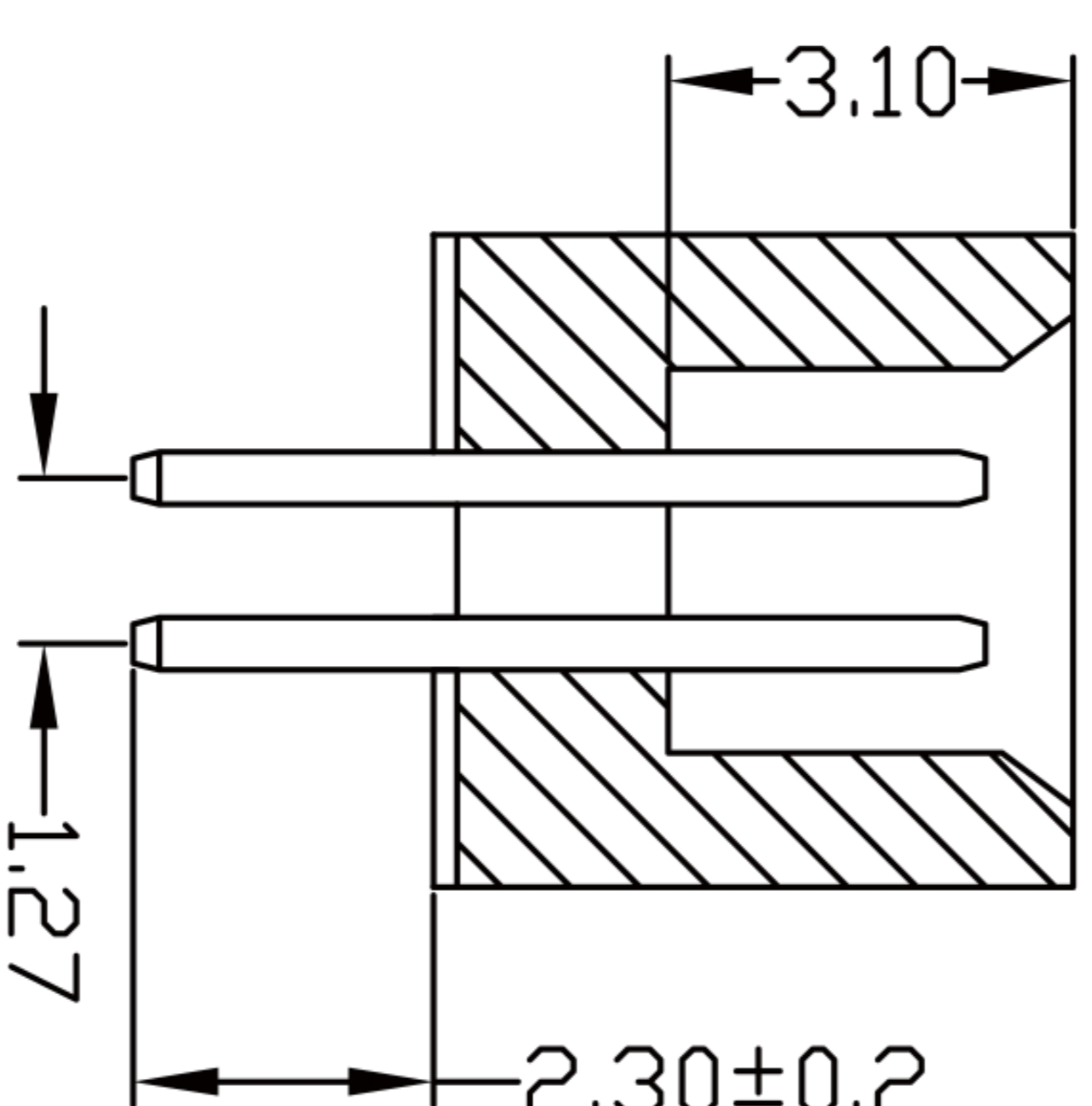
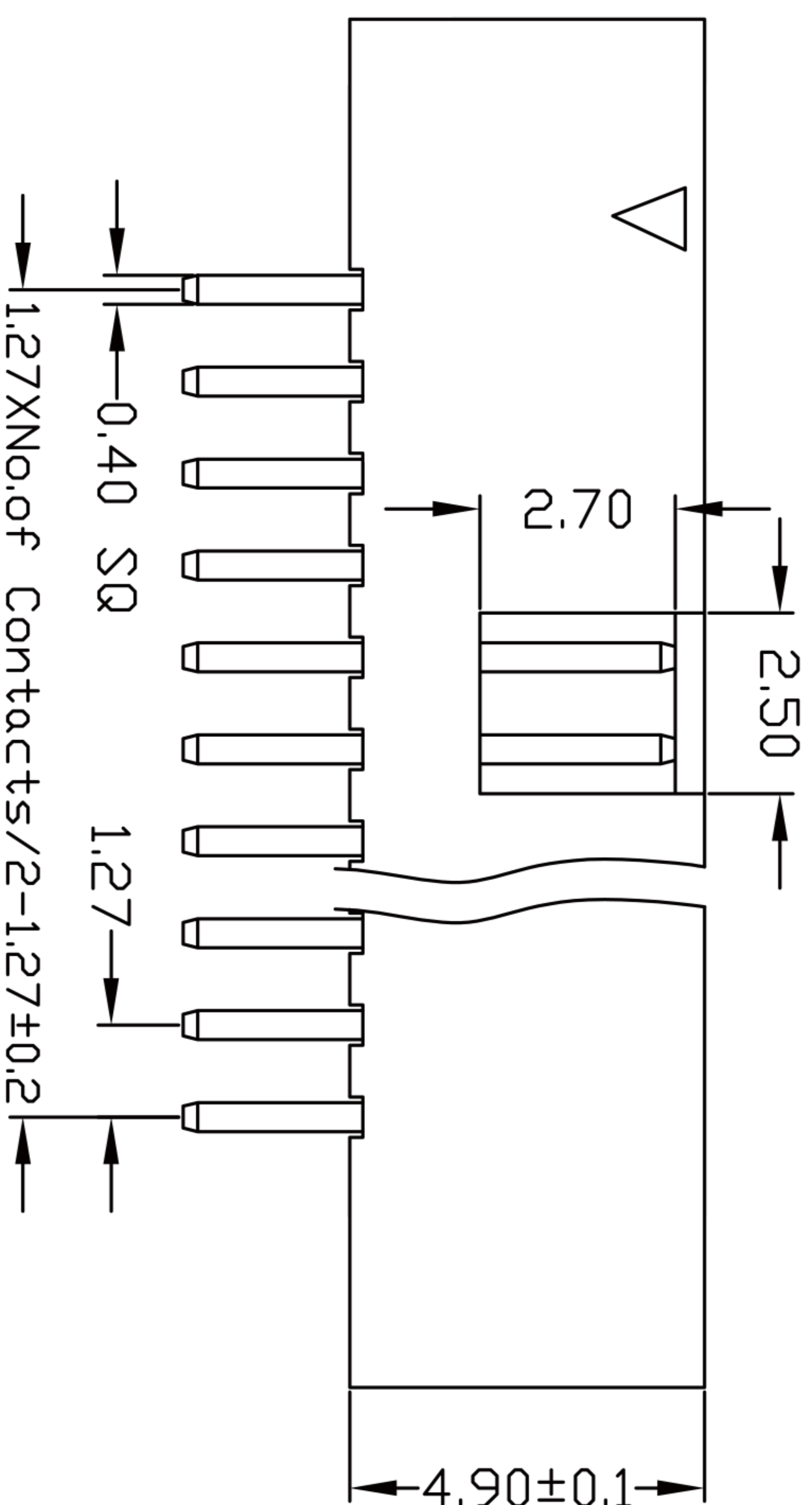
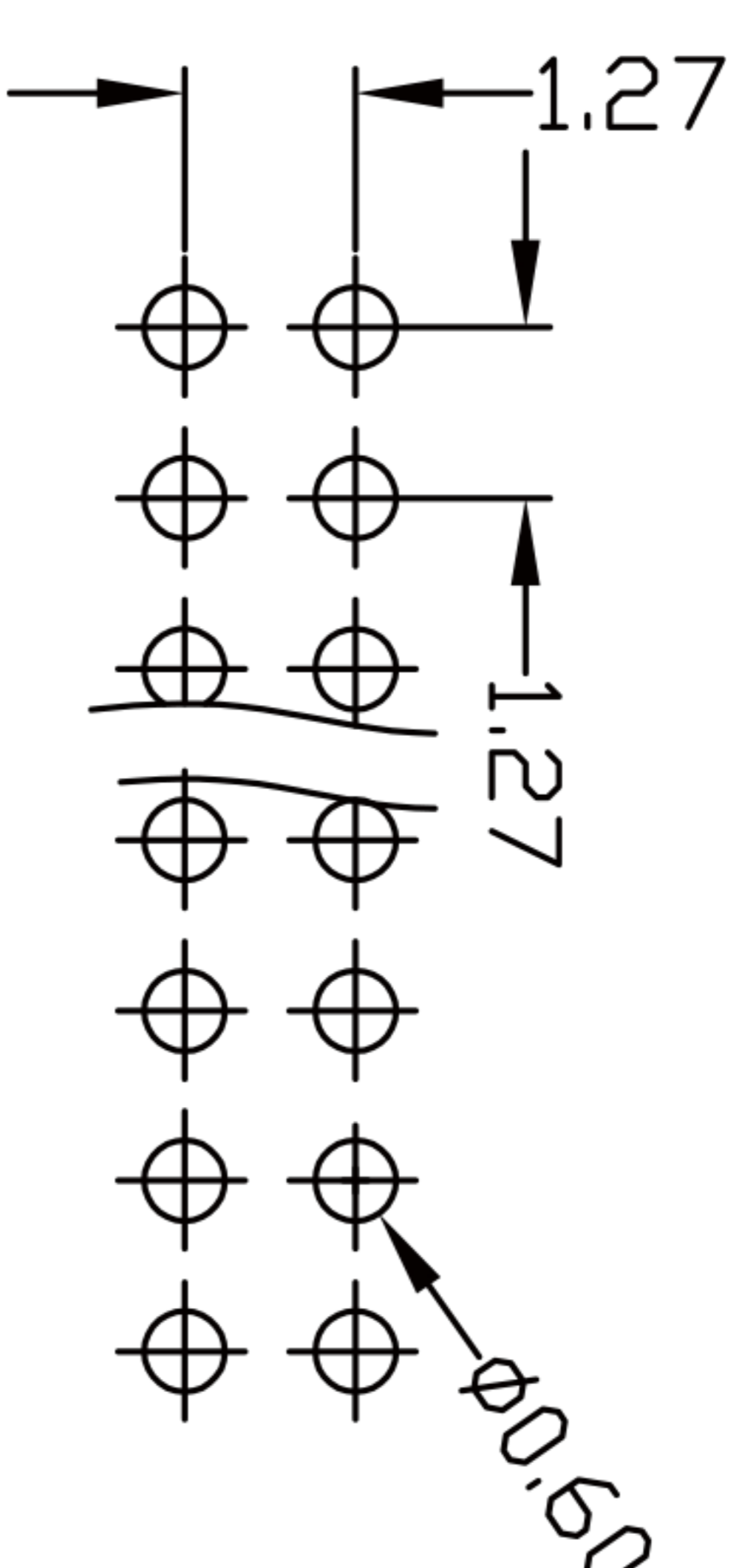
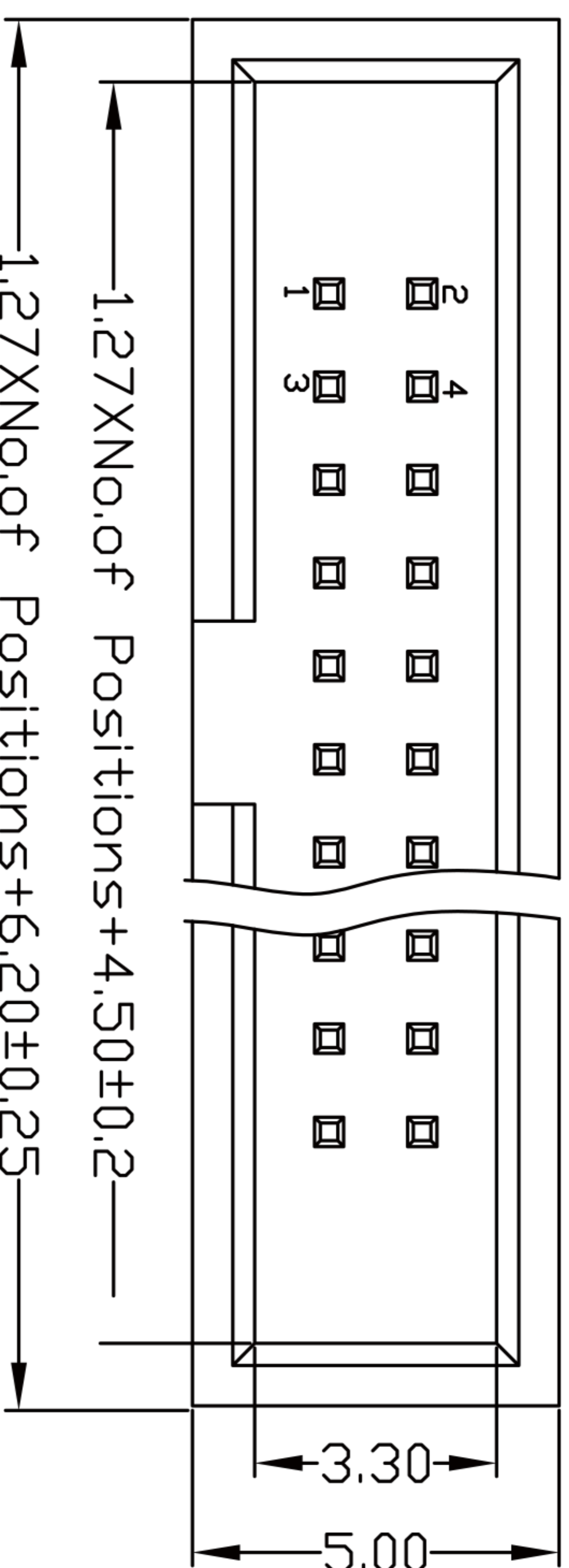
Specifications/备注 (Remark)

1-材料 (MATERIAL)

胶芯: PA9T/LCP+30%G.F UL94V-0, 颜色: 黑色
 Housing:PA9T/LCP+30%G.F UL94V-0,Color:Black
 四方针: 黄铜/镍底30u"MIN/表面镀金0.8u"MIN
 Contact: Brass/0.8u"MIN GOLD PLATING
 OVER ALL 30u"MIN NICKEL UNDERPLATING
 OVER ALL

2-特性 (characteristics):

额定电流: 1 AMP
 Rating Current:1 AMP .
 接触阻抗: 20mΩ MAX.
 Contact Resistance:20mΩ MAX .
 绝缘阻抗: 1000MΩMIN.
 Insulating Resistance:1000MΩMIN.
 耐压: AC 500V.
 Withstanding Voltage:AC 500V.
 温度范围: -40度至+105度
 Temperature Range: -40°Cto +105°C



ECN NO.	REV.	DATE.	DESCRIPTION.
	A		NEW

APPROVALS		DATE	TITLE:	
DRAWN	ZHIWEI.CHEN	2015.07.07	1.27mm 筒易牛角 180度	
CHECKED			PART NO. 1272WV-2XNP	
APPROVALS			UNIT: mm	SCALE: 1:1
TOLERANCES ARE			DRAWING NO.	PROJ. SHEET 1 OF 1
30~以上	±0.30	ANGLE		
10~30	±0.20	±2°		
5~10	±0.15			
~ 5	±0.10			

深圳市联丰电子有限公司
 SHENZHEN LINFENYING ELECTRONIC CO.,LTD