

2.54*2.54mm (0.100"*0.100") FEMALE HEADER, DUAL ROW, STRAIGHT

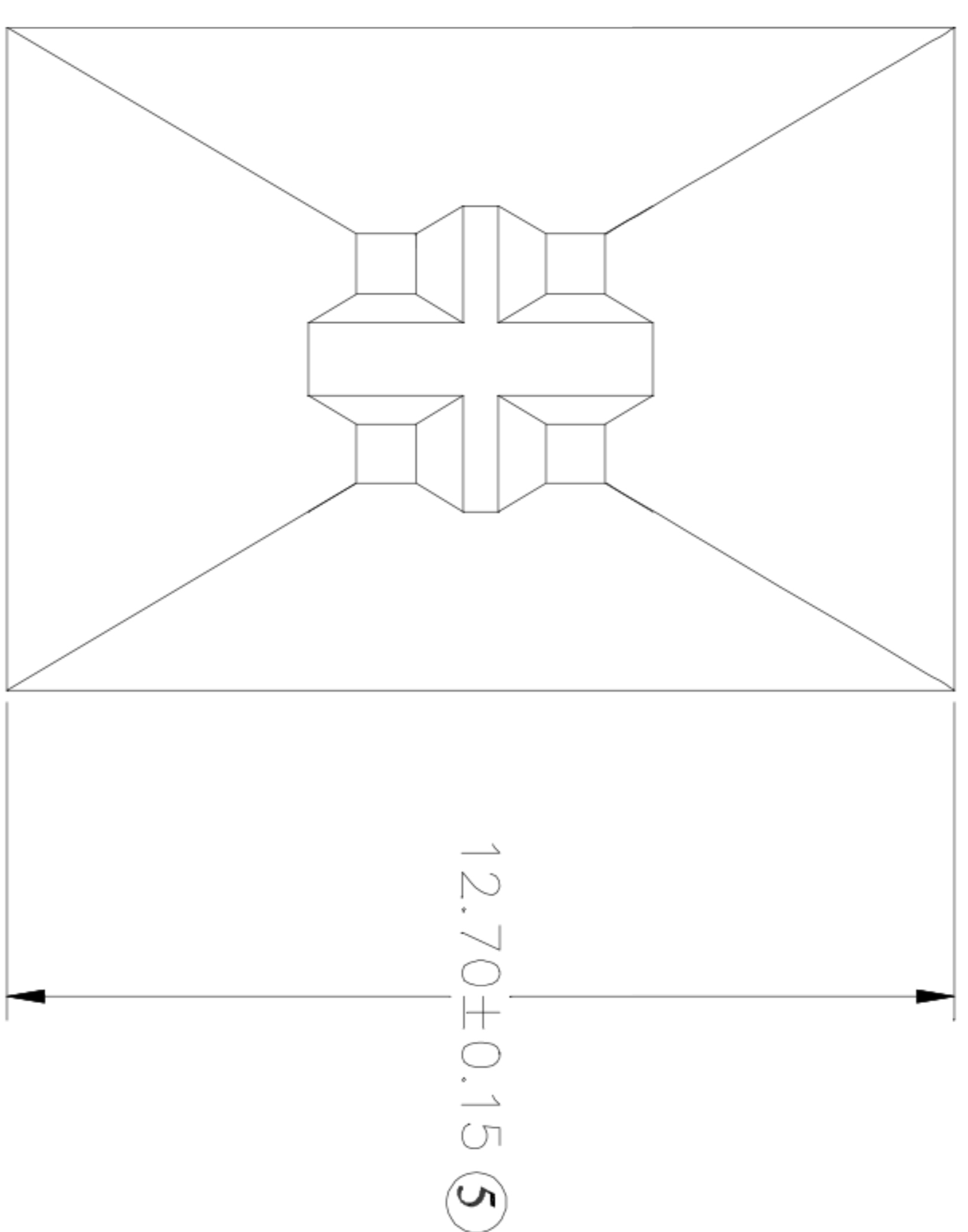
U-TYPE H=8.5mm

SPECIFICATIONS 规格

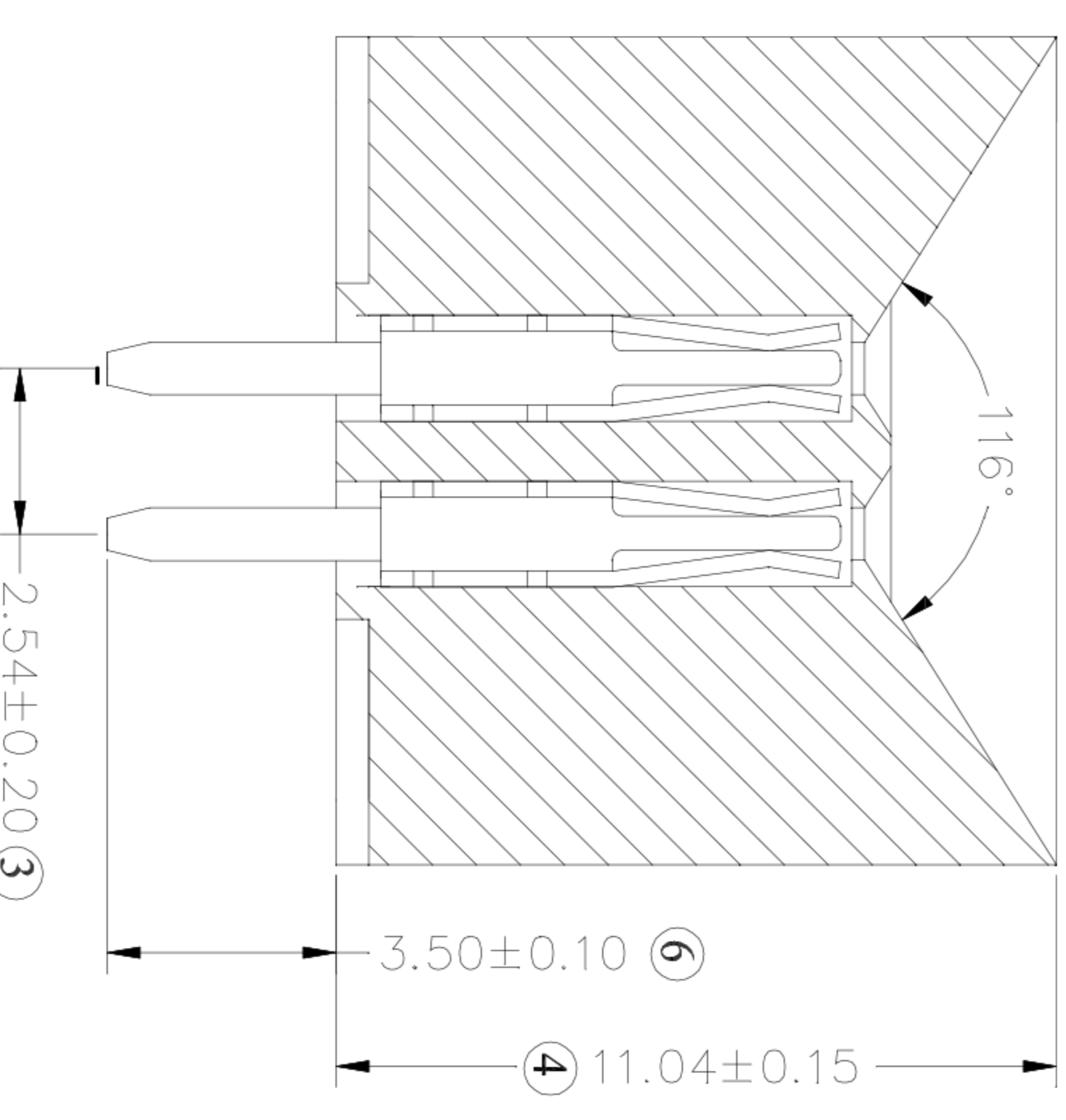
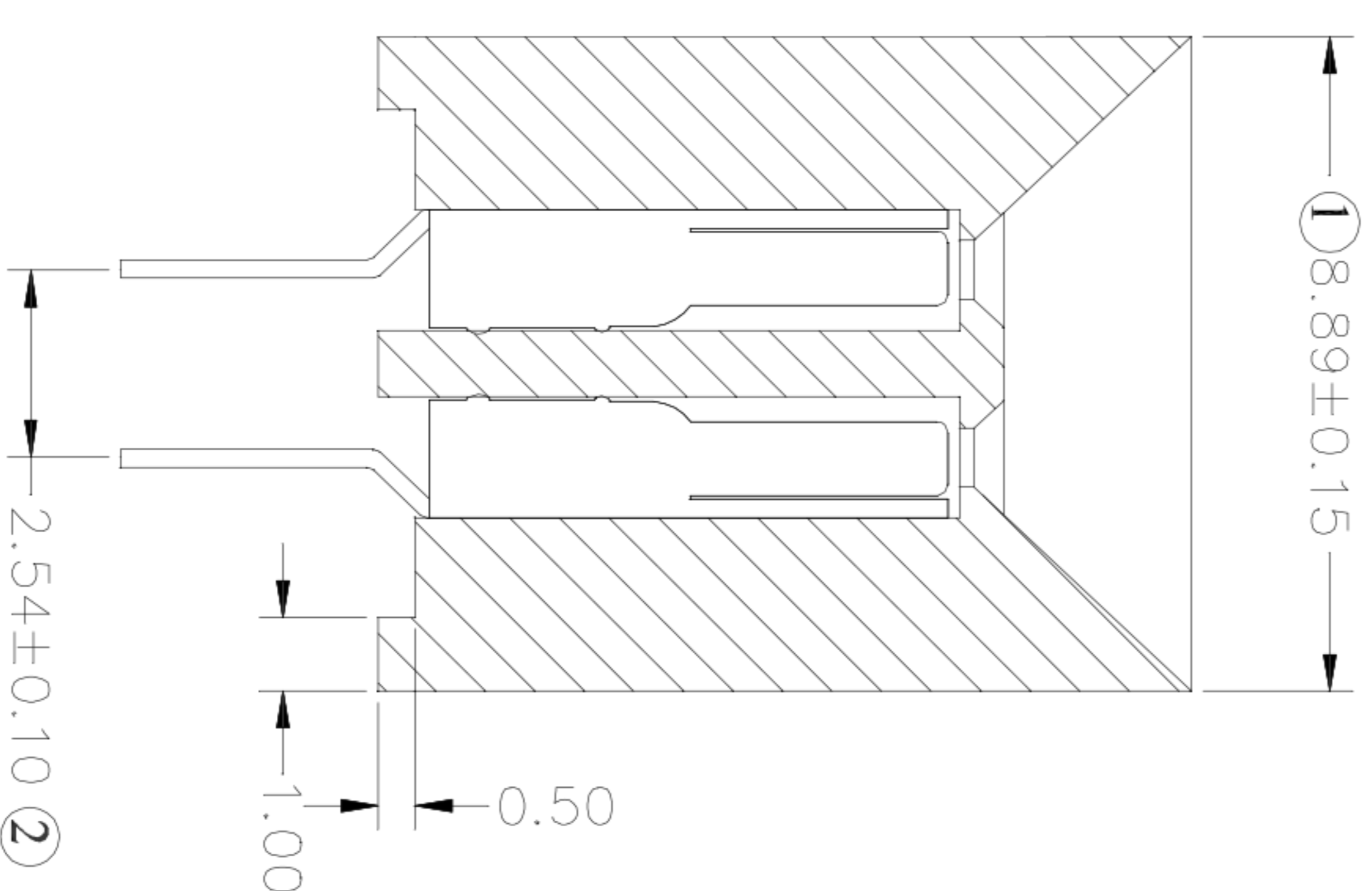
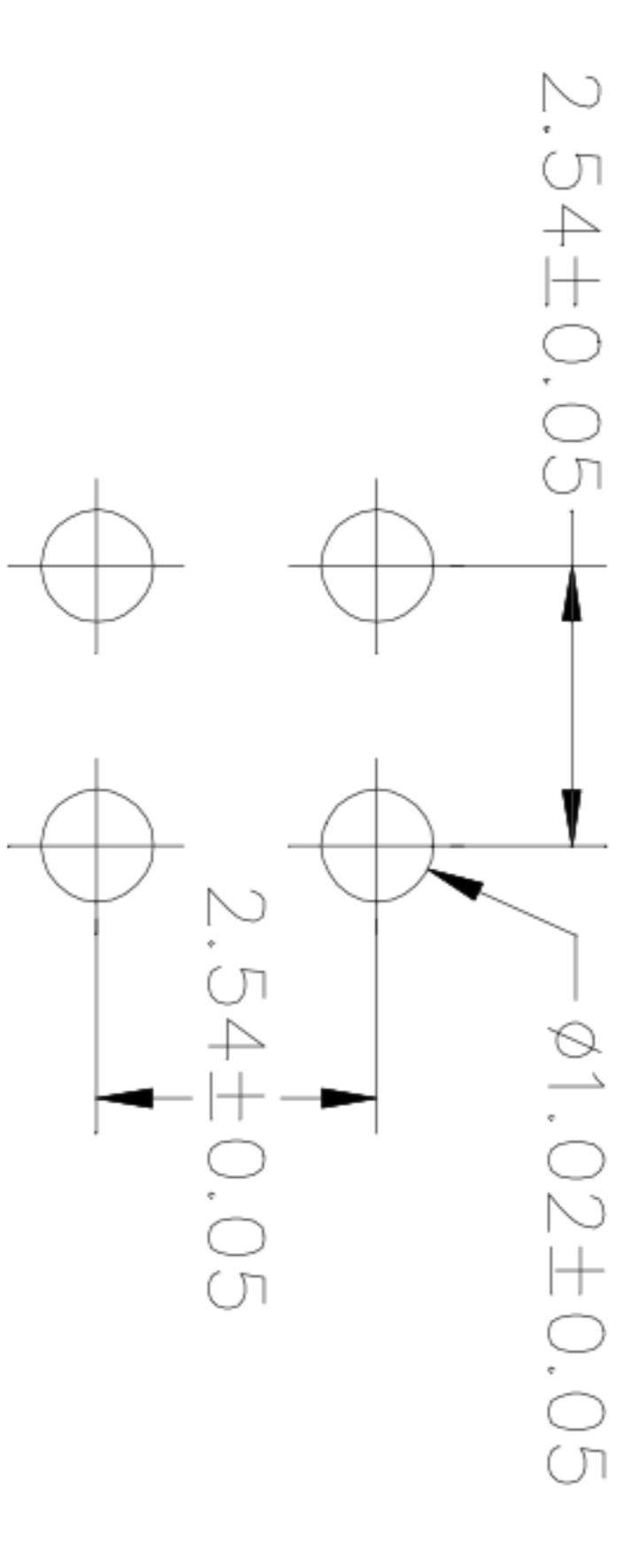
CURRENT RATING 电流额定值 : 3AMP
 CONTACT RESISTANCE 接触电阻值 : 20mΩ Max
 INSULATION RESISTANCE 绝缘电阻值 : 1000MΩ Min
 DIELECTRIC WITHSTAND 耐压值 : 500V AC/minute
 OPERATION TEMPERATURE 工作温度 : -40°C to +105°C

CONTACT MATERIAL 端子材质 : Phosphor Bronze
 HOUSING MATERIAL 塑胶材质 :
 STANDARD 标准物料 : PA6T + 30%G.F. ; UL 94V-0;BLACK
 OPTIONS 可选物料 : PBT + 30%G.F. ; UL 94V-0;BLACK
 LCP + 30%G.F. ; UL 94V-0;BLACK
 PA9T + 30%G.F. ; UL 94V-0;BLACK

PLATING 电镀 : Au or Sn Over 50u" Ni



Recommended PCB Layout



ECN NO.	REV.	DATE.	DESCRIPTION.	CHANGE.	CHECK.	APPRO.
	A		NEW			

APPROVALS		DATE	TITLE:			
DRAWN	ZHIWEI.CHEN	2015.07.07	2.54mm Crimp Style Connector			
CHECKED			PART NO. GP25-2521WV-2XNP-U			
APPROVALS			UNIT: mm SCALE: 1:1 PROJ: SHEET 1 OF 1			
TOLERANCES ARE		ANGLE	DRAWING NO.			
30~以上	±0.30	±2°				
10~30	±0.20					
5~10	±0.15					
~ 5	±0.10					



SHENZHEN LINFENG ELECTRONIC CO.,LTD