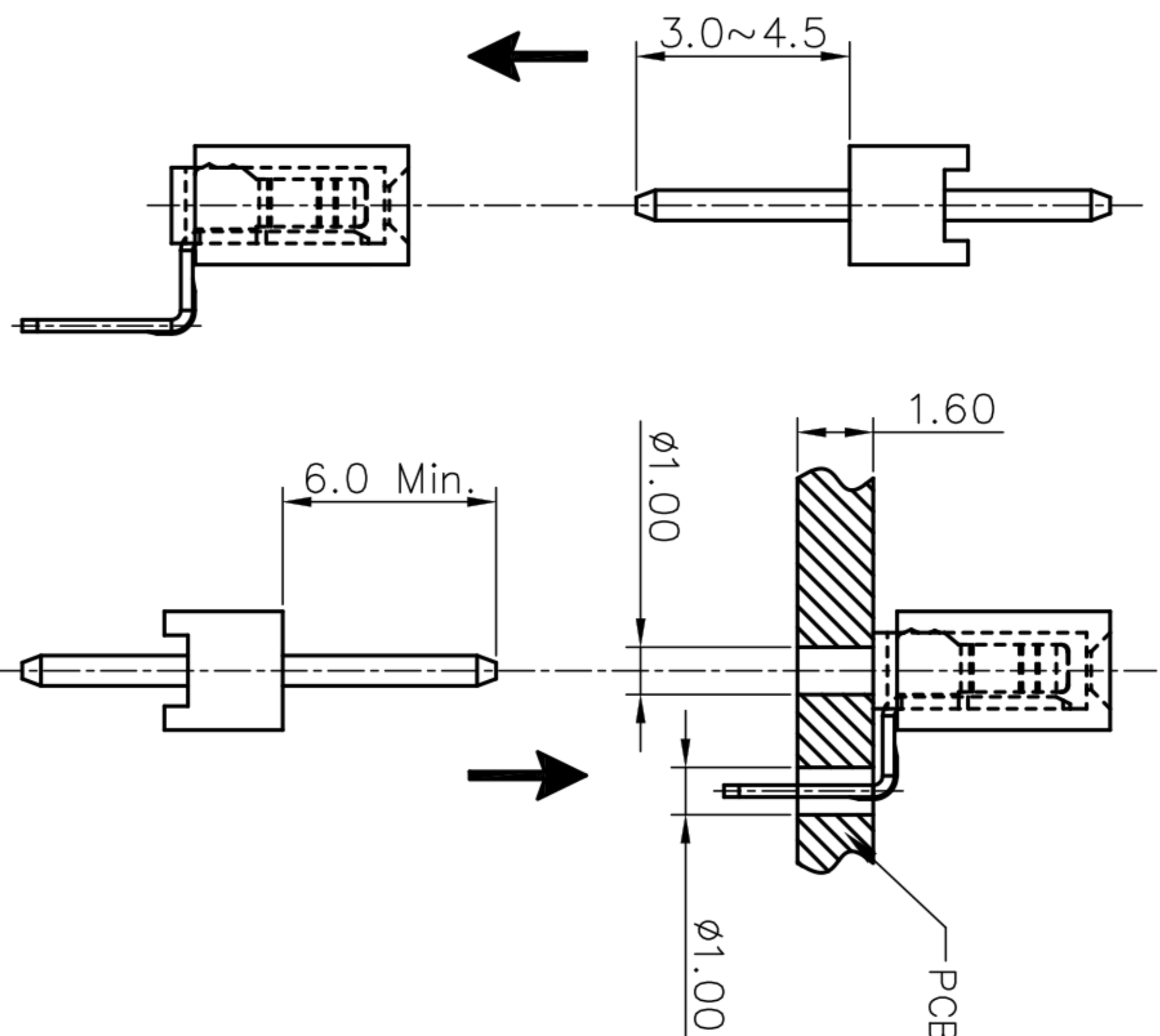
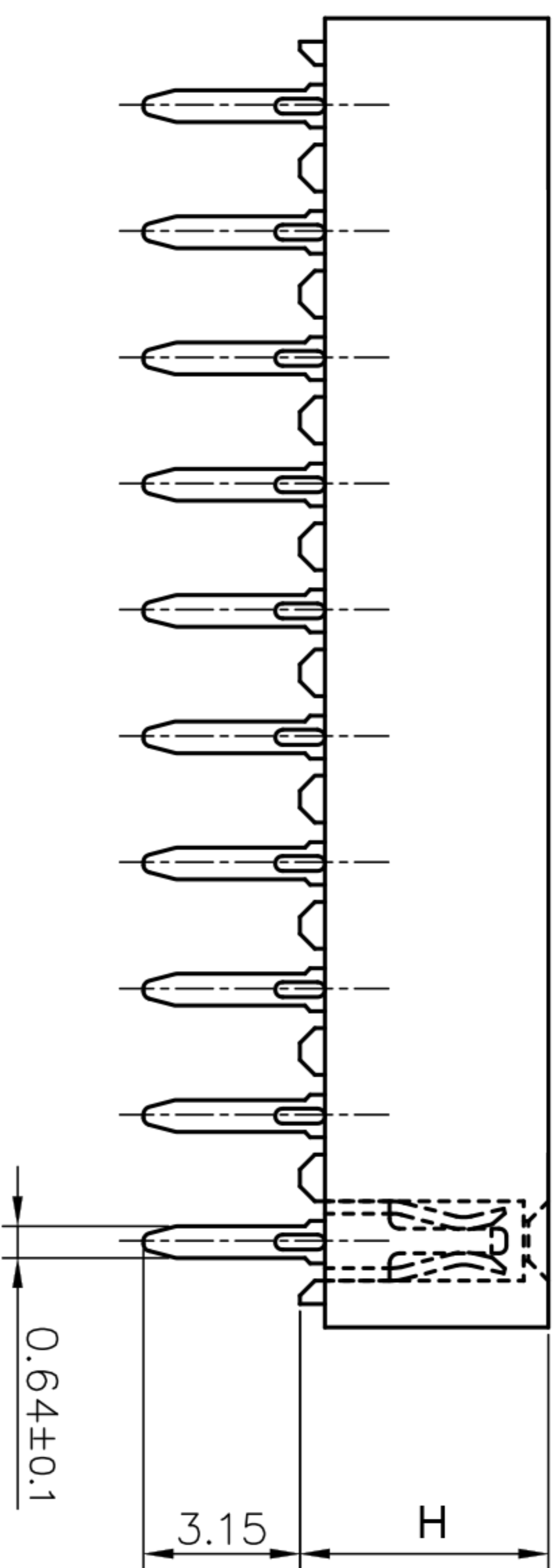
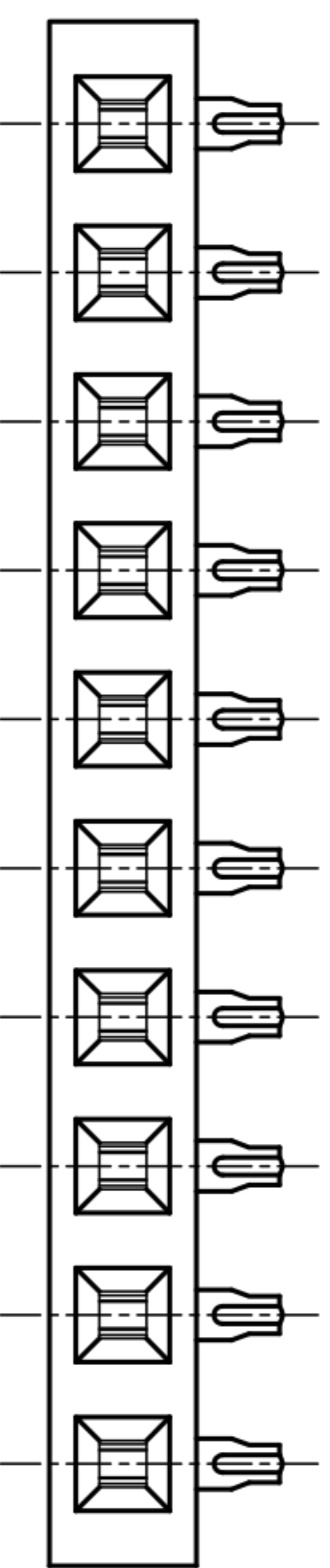


N: NUMBER OF CONTACTS



TOP INSERT

BOTTOM INSERT

DIM.		H
TYPE		
TYPE 1		8.50
TYPE 2		5.00

- NOTES:
1. MATERIAL
 - 1.1 INSULATOR MATERIAL: THERMOPLASTIC(UL 94V-0).
 - 1.2 CONTACT MATERIAL: COPPER ALLOY.
 2. SPECIFICATION
 - 2.1 TEMPERATURE: -40° to +105°C.
 - 2.2 DIELECTRIC WITHSTANDING VOLTAGE: AC 500V AC.
 - 2.3 INSULATION RESISTANCE: 1000MΩ min.
 - 2.4 CURRENT RATING: 3A.
 - 2.5 CONTACT RESISTANCE: 20mΩ MAXIMUM.
 3. PRODUCT NUMBER CODE:

ECN NO.	REV.	DATE.	DESCRIPTION.	CHANGE.	CHECK.	APPRO.
	A		NEW			

APPROVALS		DATE	TITLE:			
DRAWN	ZHIWEI.CHEN	2015.07.07	2.54mm FEMALE HEADER			
CHECKED			GP25-2521WV-NP-W			
APPROVALS			PART NO.	SCALE: 1:1	PROJ.	
TOLERANCES ARE			UNIT: mm			
	30~以上	±0.30	ANGLE			
	10~30	±0.20				
	5~10	±0.15				
	~ 5	±0.10				
DRAWING NO.						



深圳市联丰电子有限公司
SHENZHEN LIANFENG ELECTRONIC CO.,LTD