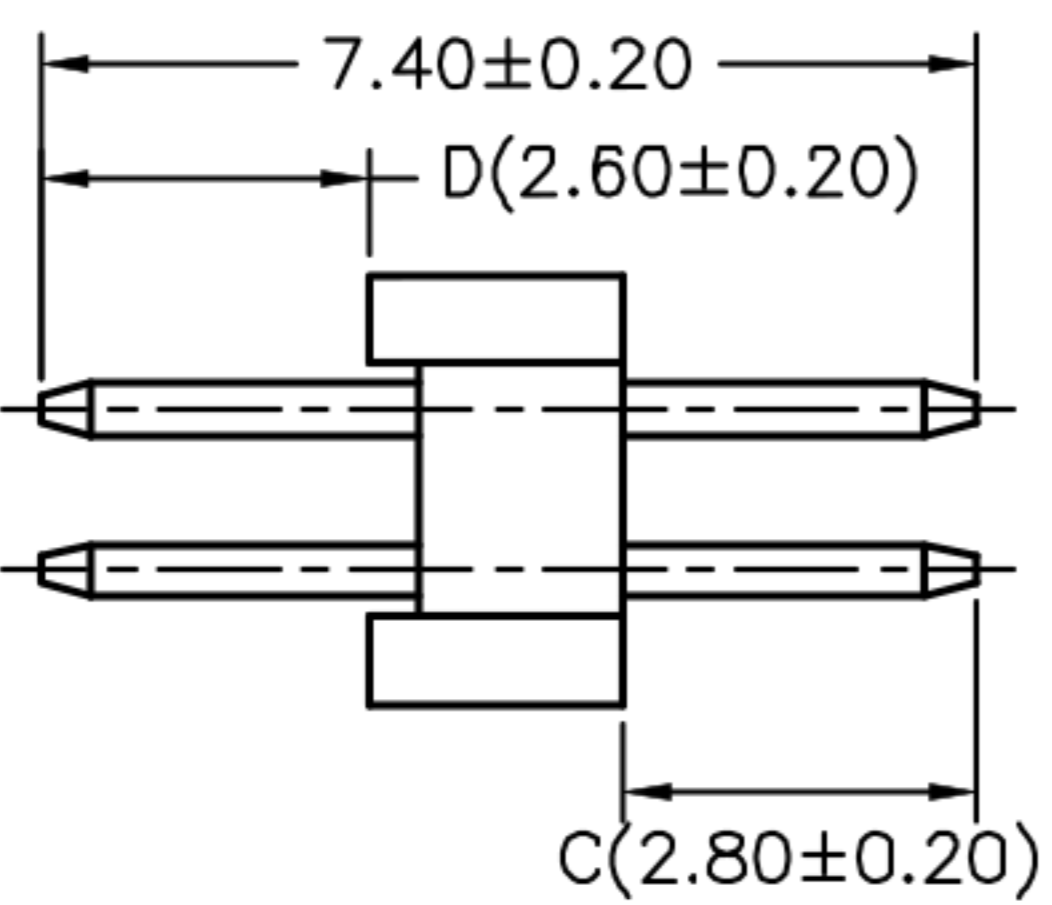
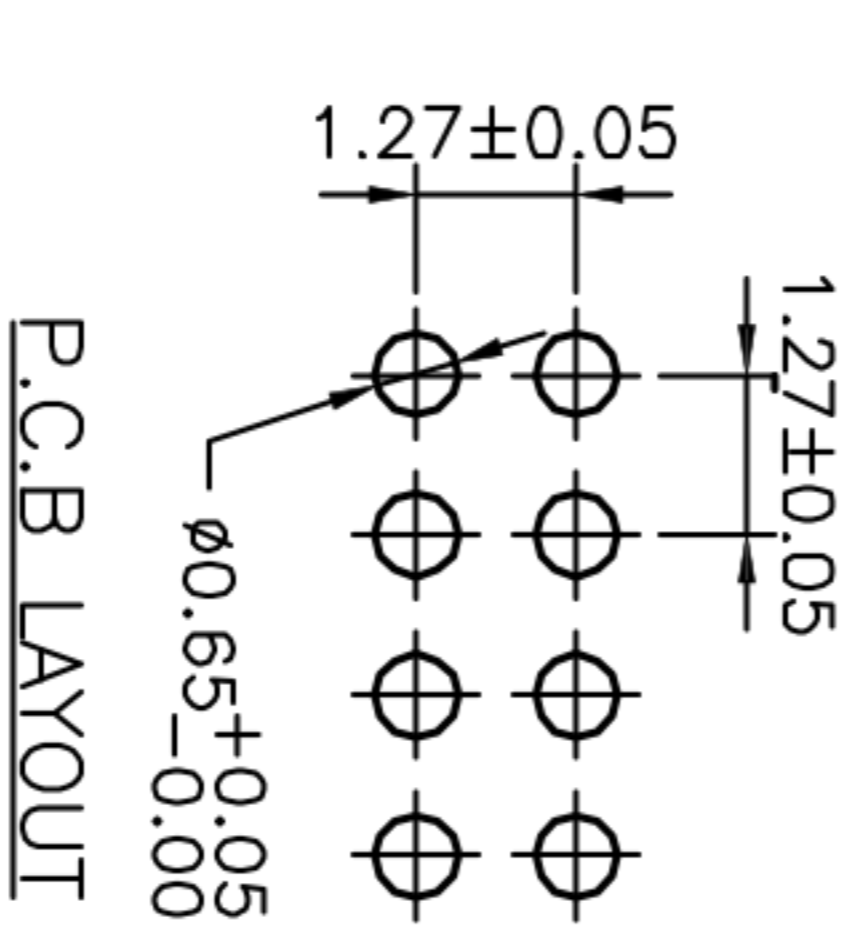
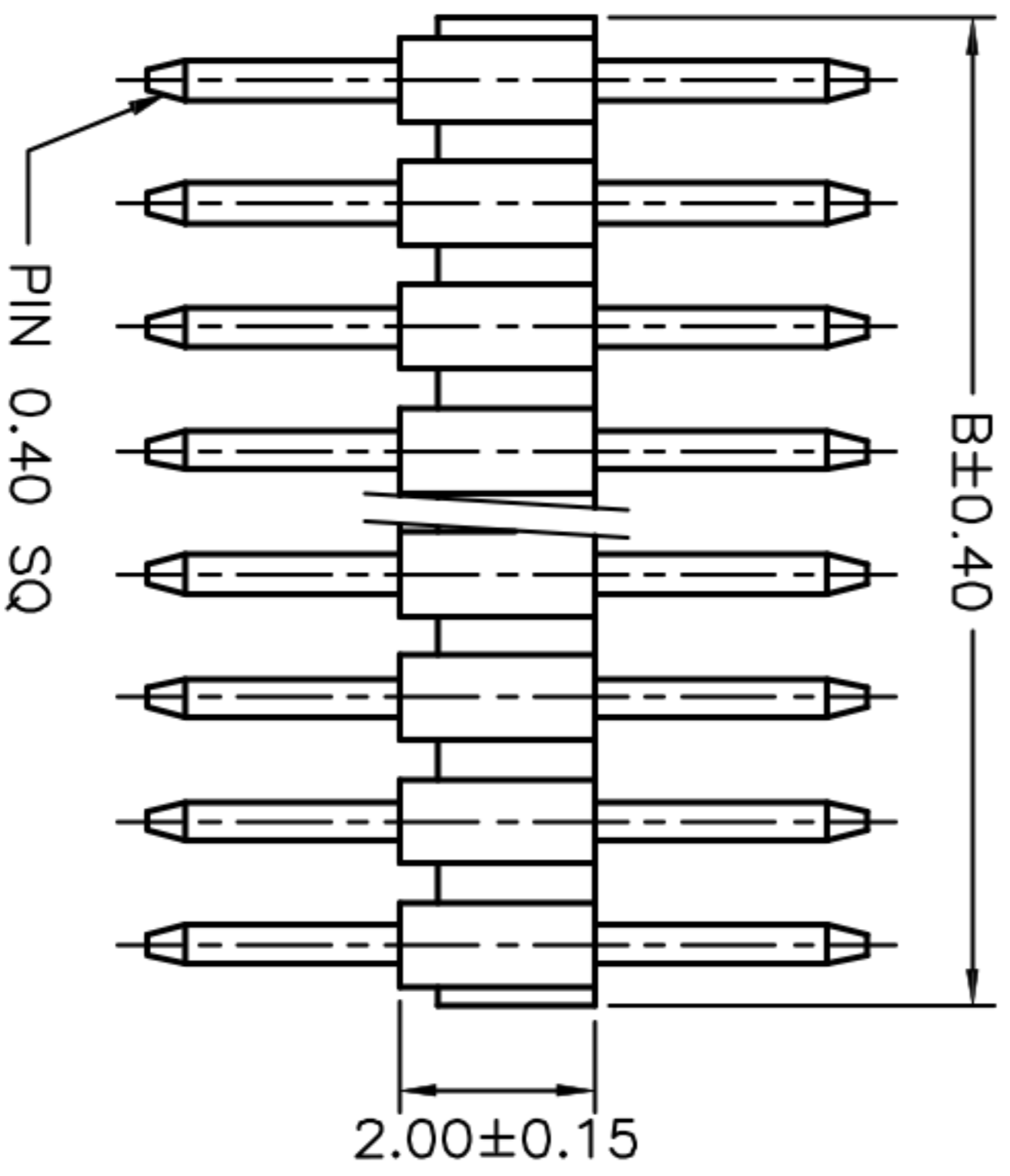
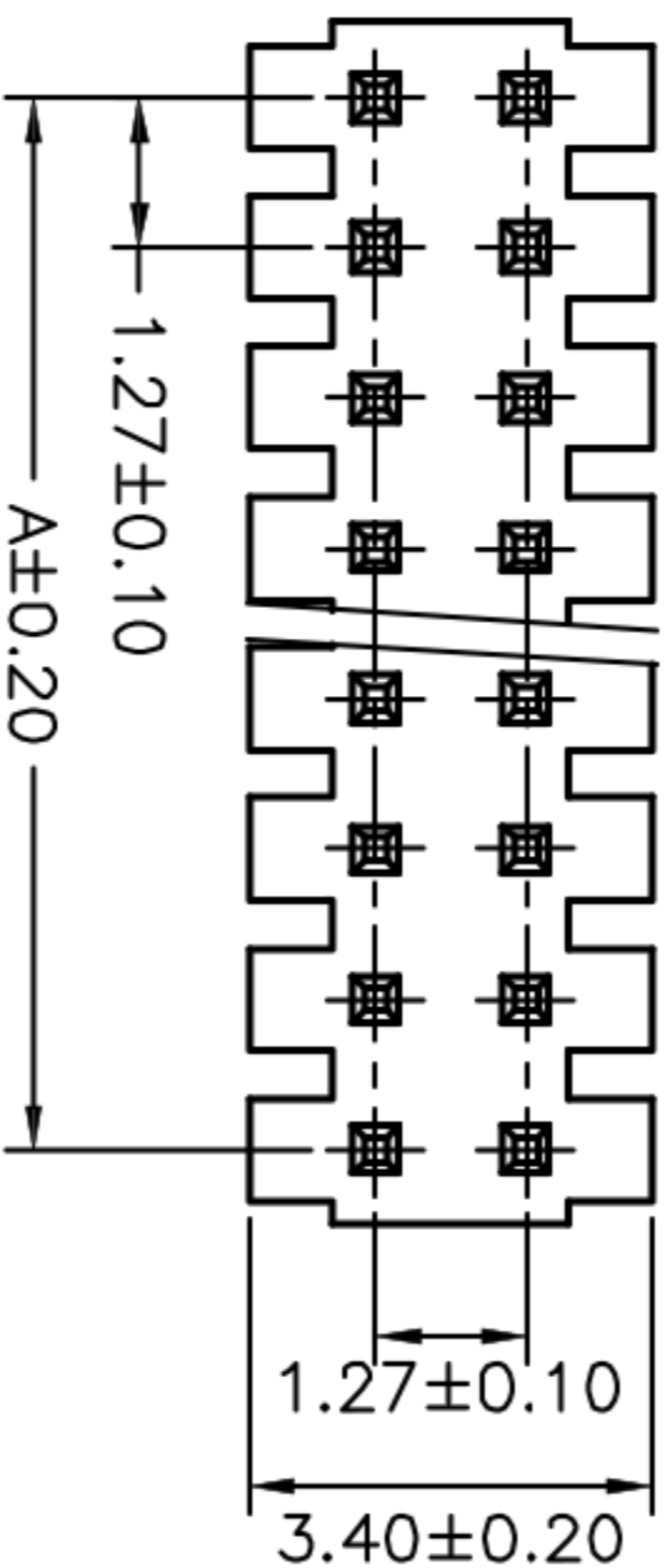
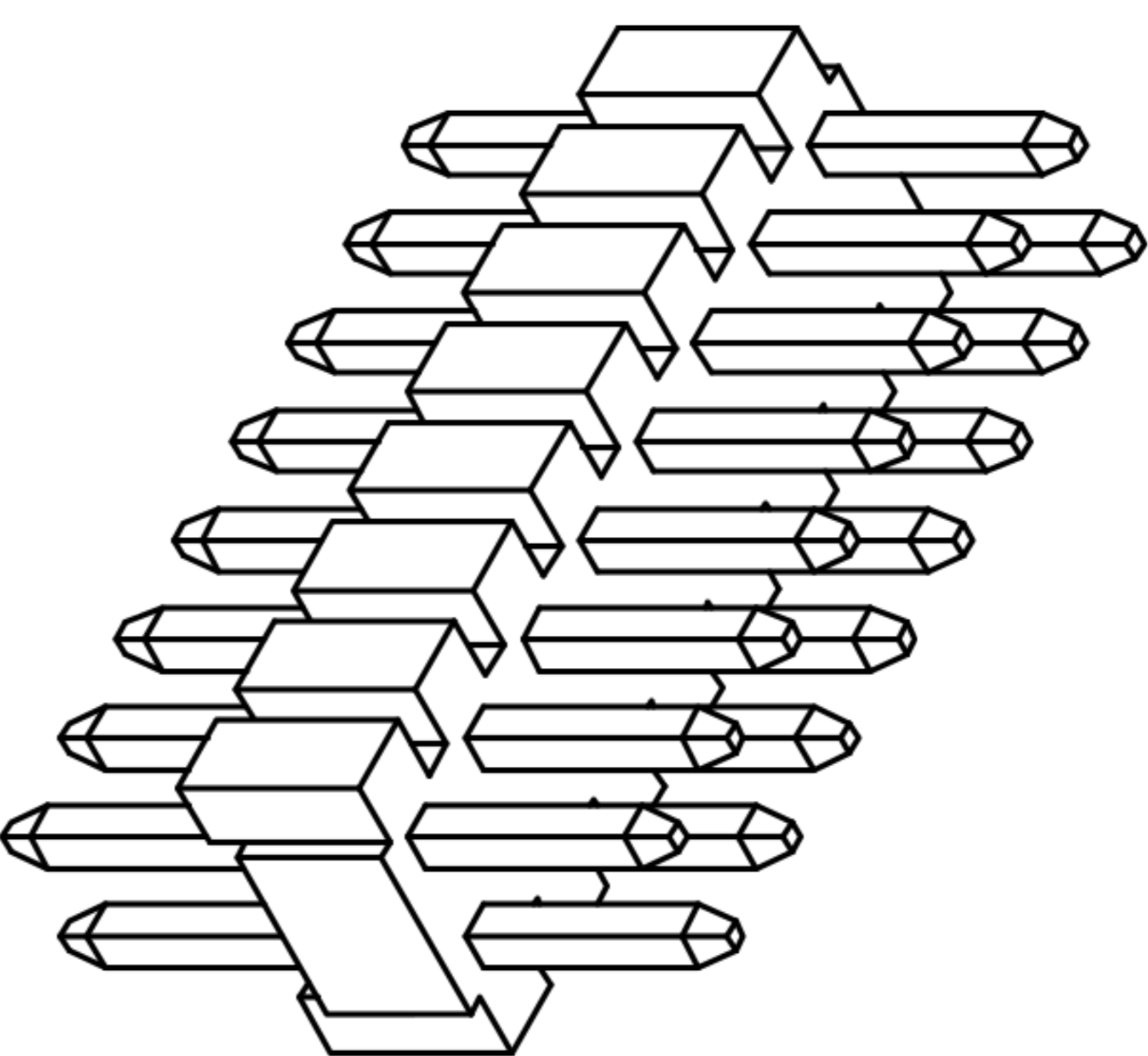


Ordering Information & Dimensions

PART NO.	Dimensions		PART NO.	Dimensions		PART NO.	Dimensions	
	A	B		A	B		A	B
1272WV-2X03P	2.54	3.81	1272WV-2X19P	22.86	24.13	1272WV-2X35P	43.18	44.45
1272WV-2X04P	3.81	5.08	1272WV-2X20P	24.13	25.40	1272WV-2X36P	44.45	45.72
1272WV-2X05P	5.08	6.35	1272WV-2X21P	25.40	26.67	1272WV-2X37P	45.72	46.99
1272WV-2X06P	6.35	7.62	1272WV-2X22P	26.67	27.94	1272WV-2X38P	46.99	48.26
1272WV-2X07P	7.62	8.89	1272WV-2X23P	27.94	29.21	1272WV-2X39P	48.26	49.53
1272WV-2X08P	8.89	10.16	1272WV-2X24P	29.21	30.48	1272WV-2X40P	49.53	50.80
1272WV-2X09P	10.16	11.43	1272WV-2X25P	30.48	31.75	1272WV-2X41P	50.80	52.07
1272WV-2X10P	11.43	12.70	1272WV-2X26P	31.75	33.02	1272WV-2X42P	52.07	53.34
1272WV-2X11P	12.70	13.97	1272WV-2X27P	33.02	34.29	1272WV-2X43P	53.34	54.61
1272WV-2X12P	13.97	15.24	1272WV-2X28P	34.29	35.56	1272WV-2X44P	54.61	55.88
1272WV-2X13P	15.24	16.51	1272WV-2X29P	35.56	36.83	1272WV-2X45P	55.88	57.15
1272WV-2X14P	16.51	17.78	1272WV-2X30P	36.83	38.10	1272WV-2X46P	57.15	58.42
1272WV-2X15P	17.78	19.05	1272WV-2X31P	38.10	39.37	1272WV-2X47P	58.42	59.69
1272WV-2X16P	19.05	20.32	1272WV-2X32P	39.37	40.64	1272WV-2X48P	59.69	60.96
1272WV-2X17P	20.32	21.59	1272WV-2X33P	40.64	41.91	1272WV-2X49P	60.96	62.23
1272WV-2X18P	21.59	22.86	1272WV-2X34P	41.91	43.18	1272WV-2X50P	62.23	63.50



\*Optional Dim. available but MOQ requested\*

**SPECIFICATIONS**  
 Current Rating: 1A AC,DC  
 Voltage Rating: 250V AC,DC  
 Temperature Range: -25°C ~ +85°C  
 Contact Resistance: 20mΩ Max.  
 Insulation Resistance: 5000MΩ Min.  
 Withstanding Voltage: 500V AC/minute  
 Pin Material: Brass/Gold-flash  
 Material: Nylon 6T,UL94V-0  
 Color: Natural(Black)

ECN NO.	REV.	DATE.	DESCRIPTION.	CHANGE.	CHECK.	APPRO.
	A		NEW			

APPROVALS		DATE	TITLE:	PART NO.		SCALE: 1:1	PROJ.	SHEET 1 OF 1
DRAWN	ZHIWEI.CHEN	2015.07.07		1.27mm Crimp Style Connector	GP26-1270WV-2XNP			
CHECKED								
APPROVALS								
TOLERANCES ARE			30 <sup>±0.30</sup> 以上	±0.30	ANGLE	UNIT: mm		
			10~30	±0.20				
			5~10	±0.15	±2°	DRAWING NO.		
			~ 5	±0.10				



深圳市联丰电子有限公司  
 SHENZHEN LIANFENG ELECTRONIC CO.,LTD