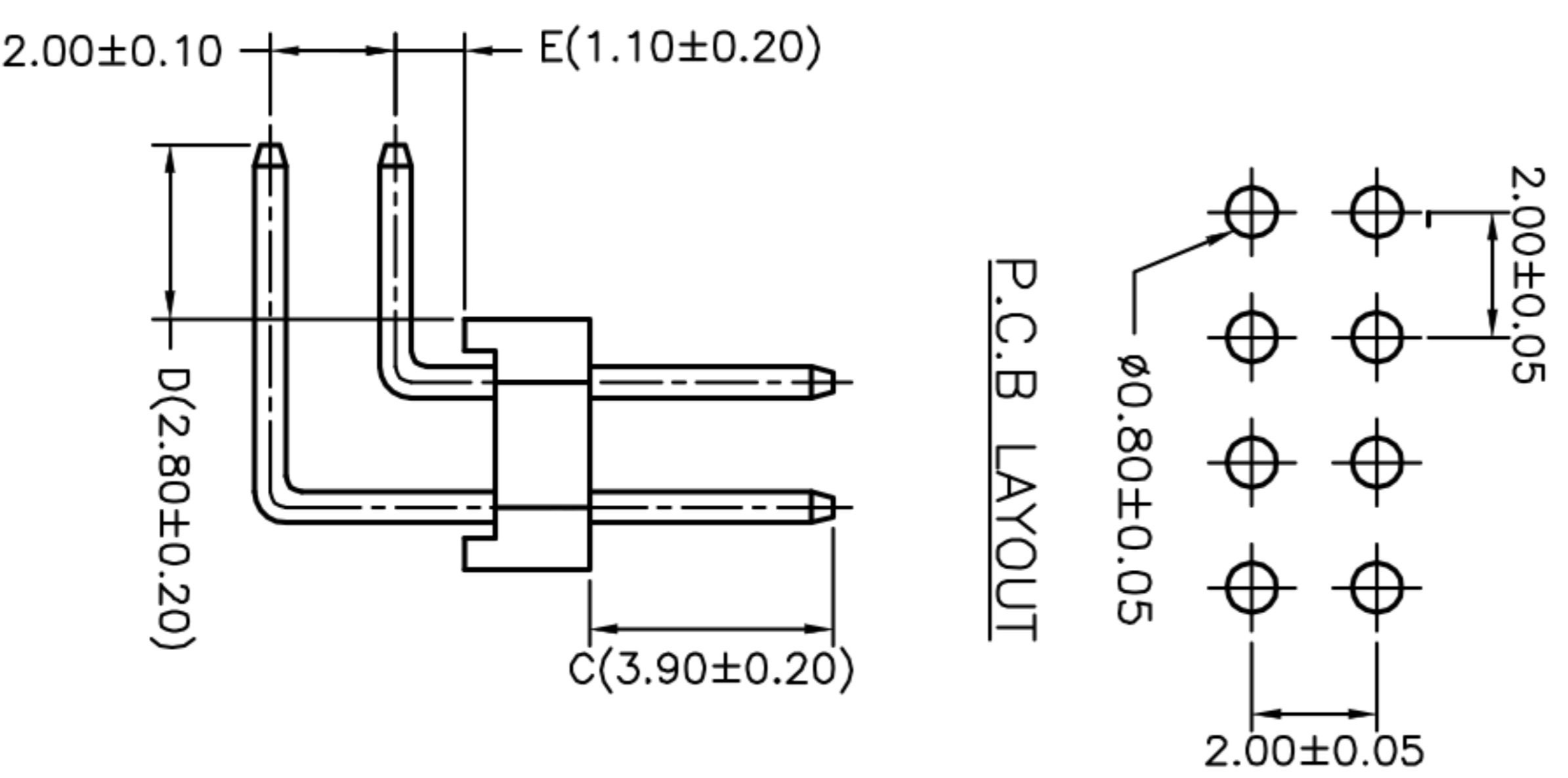
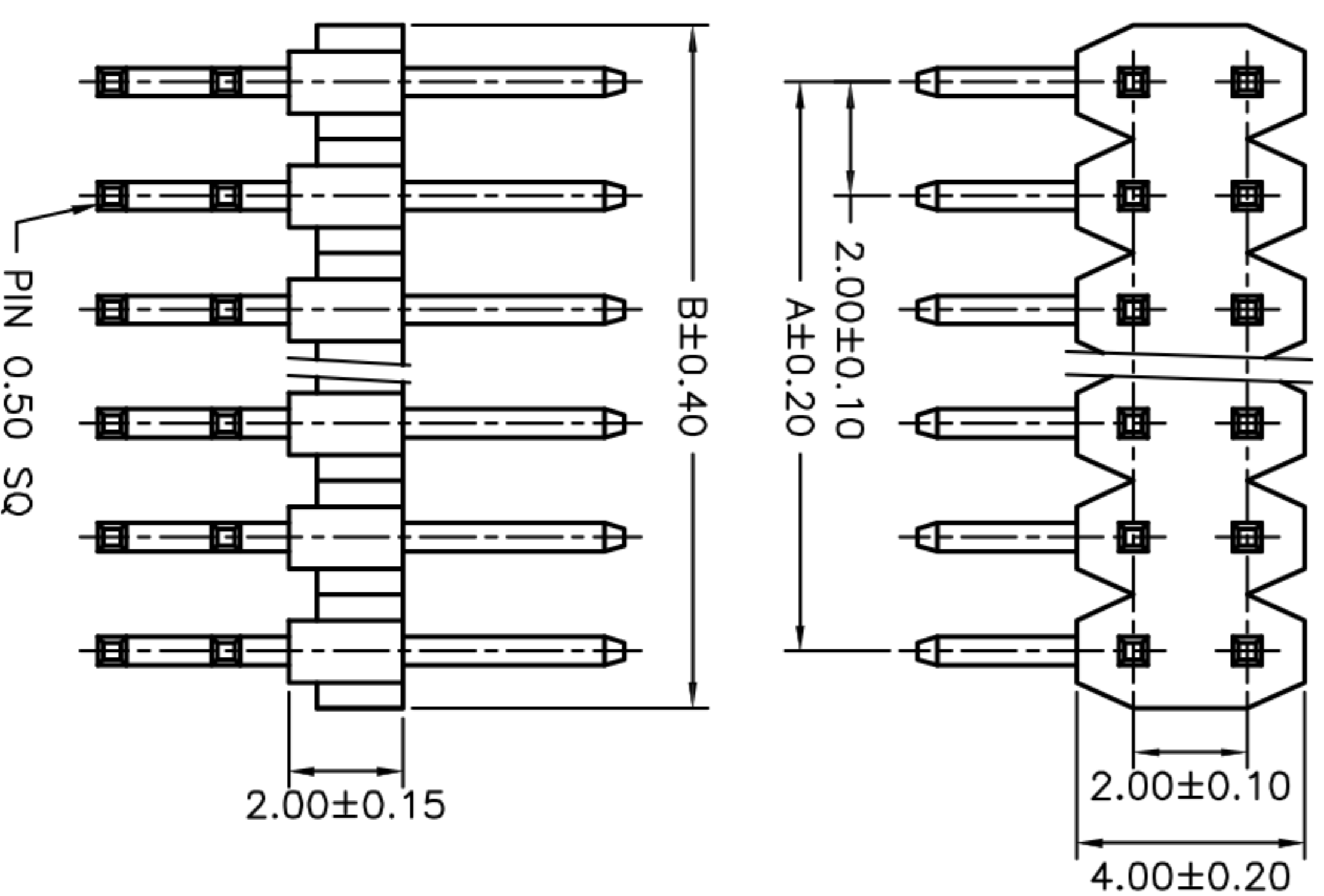


Ordering Information & Dimensions

PART NO.	Dimensions		PART NO.	Dimensions		PART NO.	Dimensions	
	A	B		A	B		A	B
2X02P	2.00	4.00	2X15P	28.00	30.00	2X28P	54.00	56.00
2X03P	4.00	6.00	2X16P	30.00	32.00	2X29P	56.00	58.00
2X04P	6.00	8.00	2X17P	32.00	34.00	2X30P	58.00	60.00
2X05P	8.00	10.00	2X18P	34.00	36.00	2X31P	60.00	62.00
2X06P	10.00	12.00	2X19P	36.00	38.00	2X32P	62.00	64.00
2X07P	12.00	14.00	2X20P	38.00	40.00	2X33P	64.00	66.00
2X08P	14.00	16.00	2X21P	40.00	42.00	2X34P	66.00	68.00
2X09P	16.00	18.00	2X22P	42.00	44.00	2X35P	68.00	70.00
2X10P	18.00	20.00	2X23P	44.00	46.00	2X36P	70.00	72.00
2X11P	20.00	22.00	2X24P	46.00	48.00	2X37P	72.00	74.00
2X12P	22.00	24.00	2X25P	48.00	50.00	2X38P	74.00	76.00
2X13P	24.00	26.00	2X26P	50.00	52.00	2X39P	76.00	78.00
2X14P	26.00	28.00	2X27P	52.00	54.00	2X40P	78.00	80.00



\*Optional Dim. available but  
MOQ requested\*

**SPECIFICATIONS**  
 Current Rating: 2A AC,DC  
 Voltage Rating: 250V AC,DC  
 Temperature Range: -25°C ~ +85°C  
 Contact Resistance: 20mΩ Max.  
 Insulation Resistance: 1000MΩ Min.  
 Withstanding Voltage: 1000V AC/minute  
 Pin Material: Brass/Gold-flash  
 Material: Nylon 6T,UL94V-0  
 Color: Natural(Black)

ECN NO.	REV.	DATE.	DESCRIPTION.	CHANGE.	CHECK.	APPRO.
	A		NEW			

APPROVALS		DATE	<p>深圳市联丰电子有限公司 SHENZHEN LINFENG ELECTRONIC CO.,LTD</p>	TITLE:	2.00mm Crimp Style Connector
DRAWN	ZHIWEI.CHEN	2015.07.07		PART NO.	GP26-2020WR-2XNP
CHECKED				UNIT: mm	SCALE: 1:1
APPROVALS				PART NO.	
TOLERANCES ARE				SCALE: 1:1	PROJ:
	30 <sup>±0.30</sup> 以上	±0.30	ANGLE	±2°	DRAWING NO.
	10~30	±0.20			
	5~10	±0.15			
	~ 5	±0.10			
SHEET 1 OF 1					