

2.54*2.54mm (0.100"*0.100") PIN HEADER, DUAL ROW, STRAIGHT

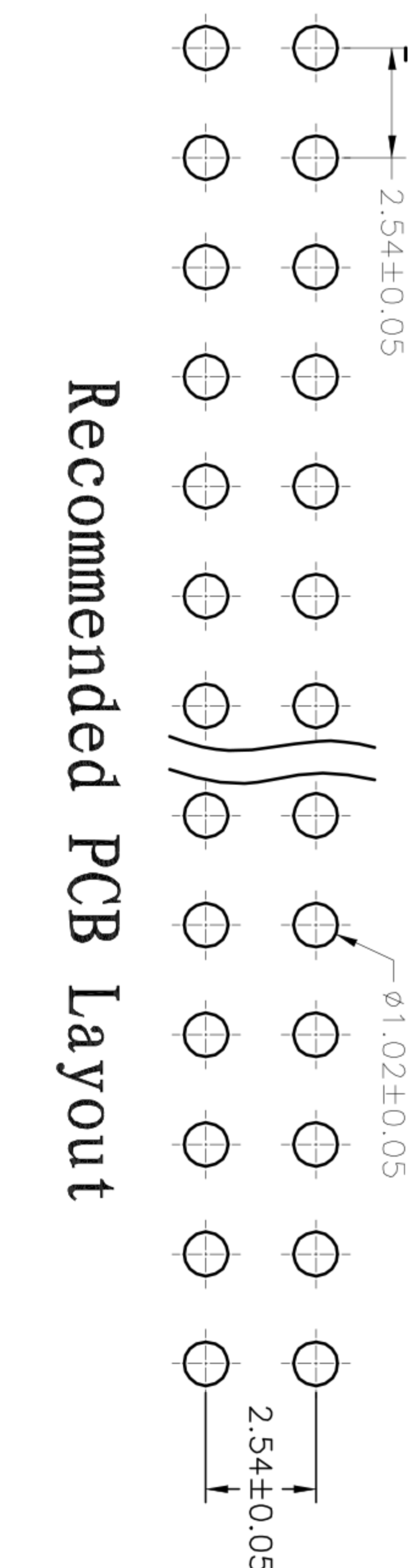
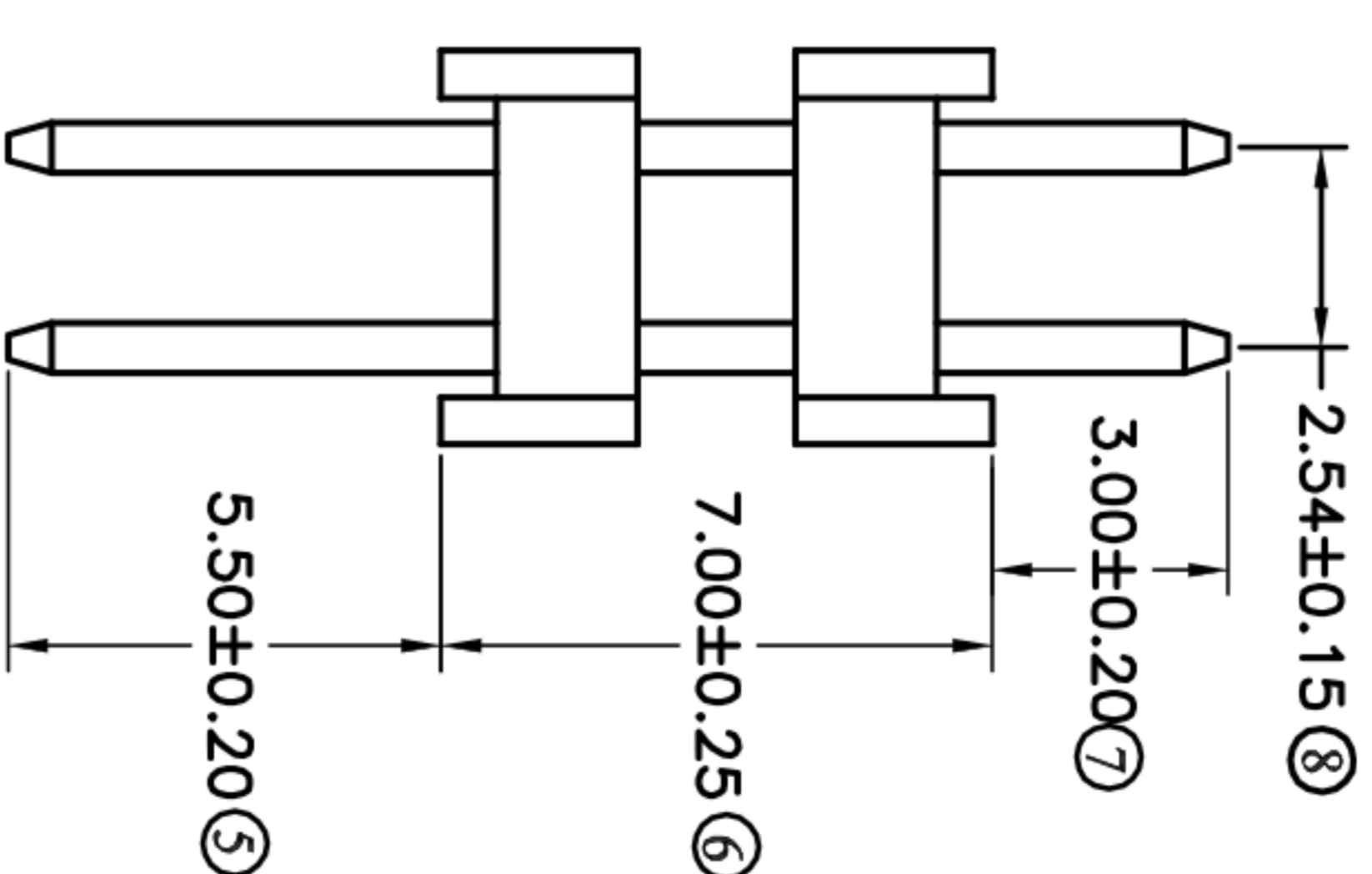
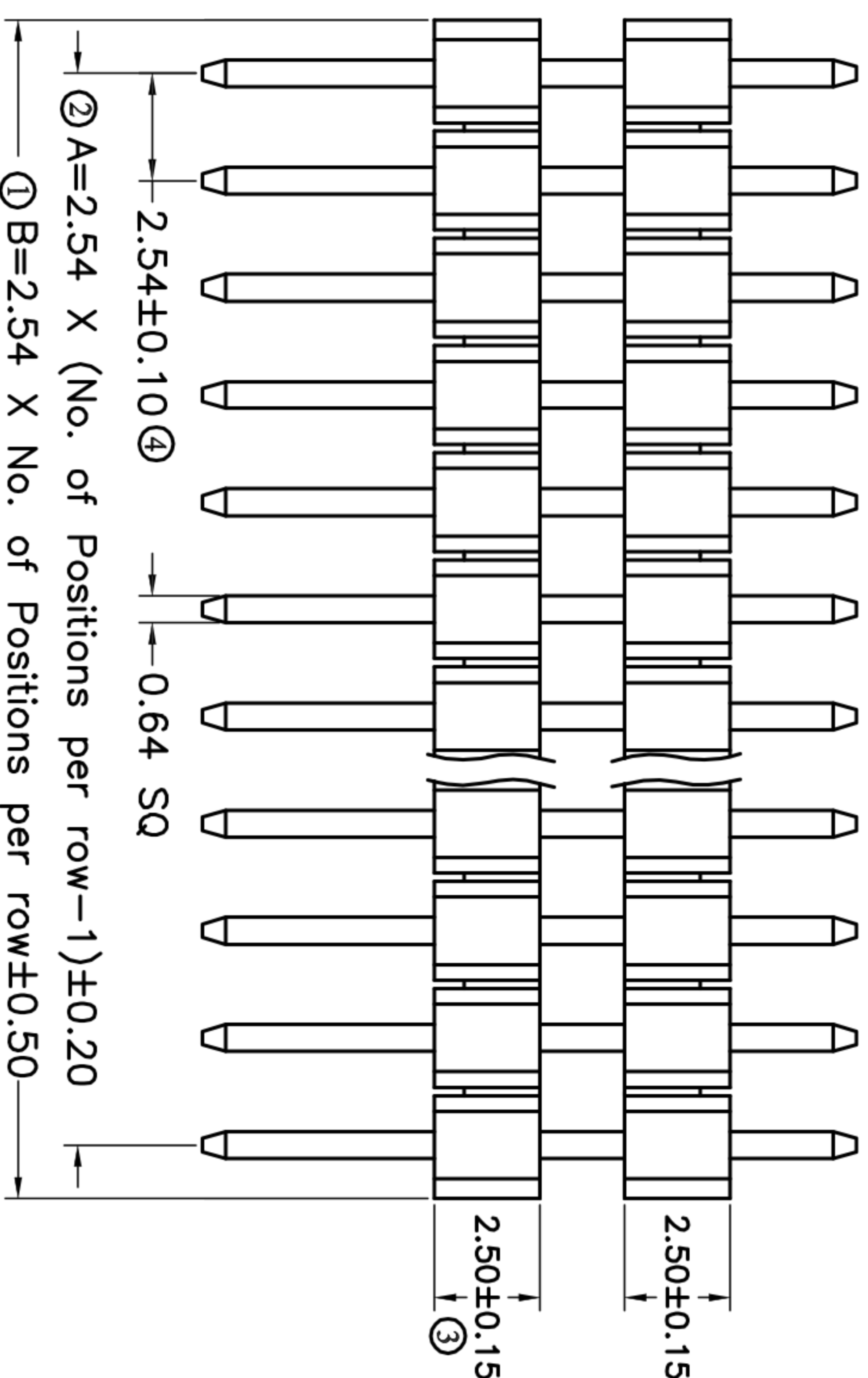
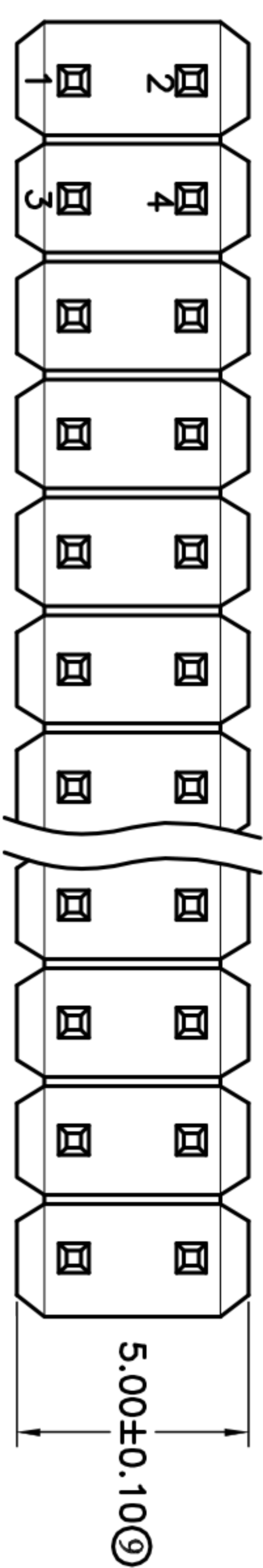
H=2.5mm

SPECIFICATIONS 规格

CURRENT RATING 电流额定值 : 3AMP
 CONTACT RESISTANCE 接触电阻值 : 20mΩ Max
 INSULATION RESISTANCE 绝缘电阻值 : 1000MΩ Min
 DIELECTRIC WITHSTAND 耐压值 : 500V AC/minute
 OPERATION TEMPERATURE 工作温度 : -40℃to+105℃

CONTACT MATERIAL 端子材质 : BRASS
 HOUSING MATERIAL 塑胶材质 :

STANDARD 标准物料 : PA6T + 30%G.F. ; UL 94V-0 ; BLACK
 OPTIONS 可选物料 : PBT + 30%G.F. ; UL 94V-0; BLACK
 OR LCP + 30%G.F. ; UL 94V-0; BLACK
 OR PA9T + 30%G.F. ; UL 94V-0; BLACK
 PLATING 电镀 : Au or Sn Over 30u" Ni



Recommended PCB Layout

PIN/ROW	Dimension Information	
	A	B
01	2.54	2.54
02	2.54	5.08
03	5.08	7.62
04	7.62	10.16
05	10.16	12.70
06	12.70	15.24
07	15.24	17.78
08	17.78	20.32
09	20.32	22.86
10	22.86	25.40
11	25.40	27.94
12	27.94	30.48
13	30.48	33.02
14	33.02	35.56
15	35.56	38.10
16	38.10	40.64
17	40.64	43.18
18	43.18	45.72
19	45.72	48.26
20	48.26	50.80
21	50.80	53.34
22	53.34	55.88
23	55.88	58.42
24	58.42	60.96
25	60.96	63.50
26	63.50	66.04
27	66.04	68.58
28	68.58	71.12
29	71.12	73.66
30	73.66	76.20
31	76.20	78.74
32	78.74	81.28
33	81.28	83.82
34	83.82	86.36
35	86.36	88.90
36	88.90	91.44
37	91.44	93.98
38	93.98	96.52
39	96.52	99.06
40	99.06	101.60

APPROVALS		DATE	TITLE:	
DRAWN	ZHIWEI.CHEN	2015.07.07	2.54mm Crimp Style Connector	
CHECKED			PART NO. GP26-2520WV-2XNP-2A	
APPROVALS			SCALE: 1:1	PROJ:
TOLERANCES ARE		ANGLE	UNIT: mm	DRAWING NO.
30~以上	±0.30			
10~30	±0.20	±2°		
5~10	±0.15			
~5	±0.10			
ECN NO.	REV.	DATE.	DESCRIPTION.	CHANGE.
	A		NEW	

深圳市联丰电子有限公司
 SHENZHEN LINFENG ELECTRONIC CO.,LTD