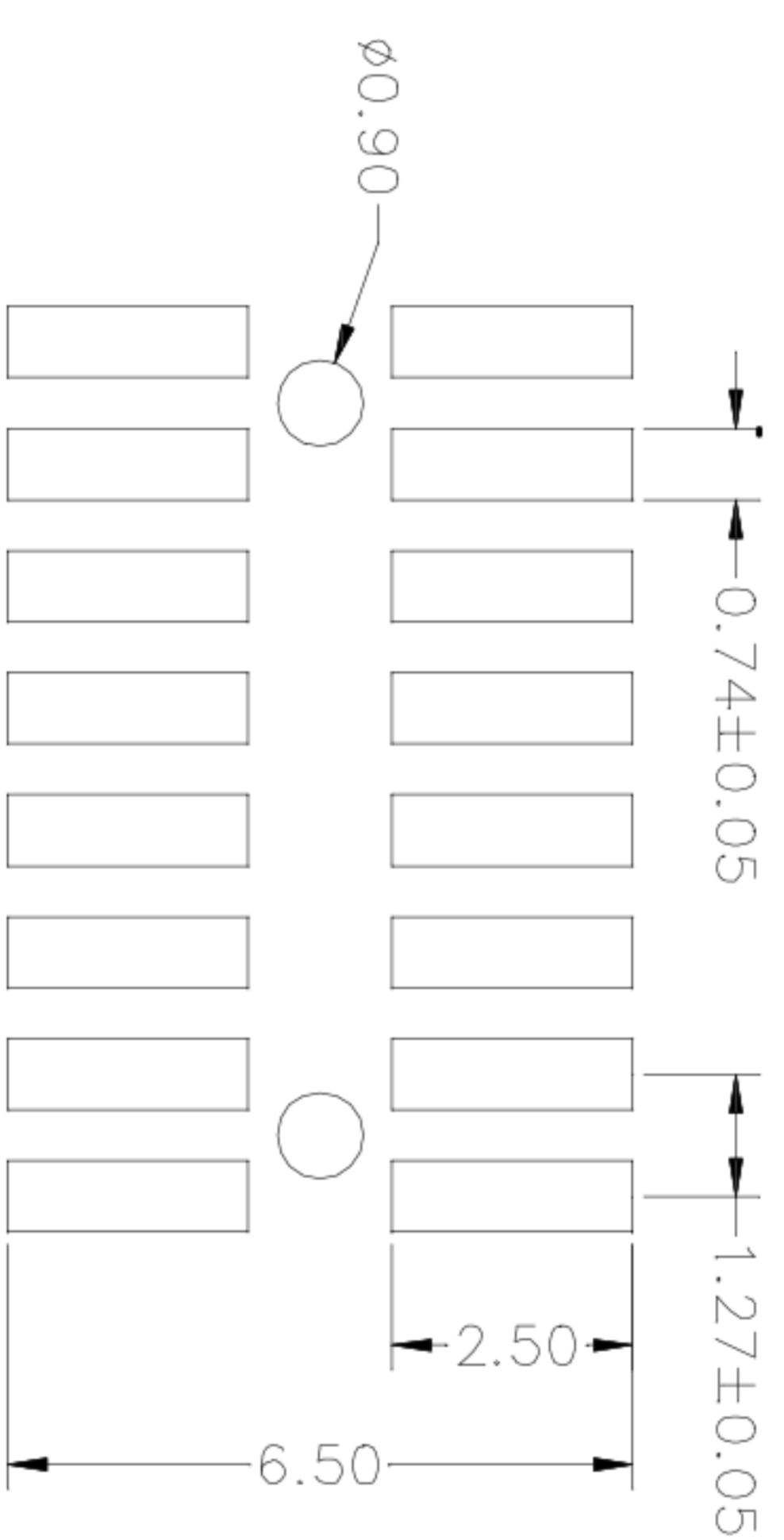
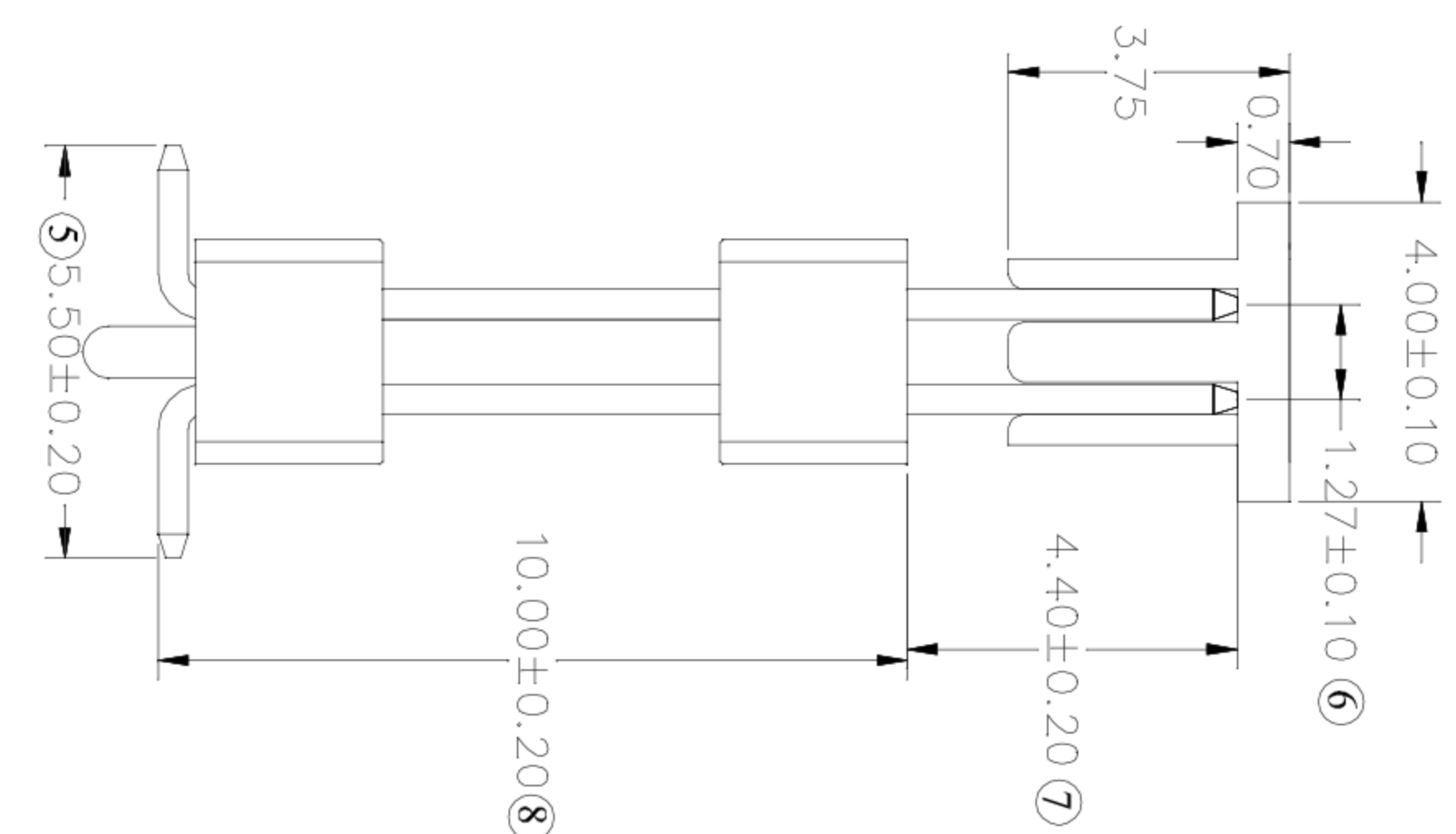
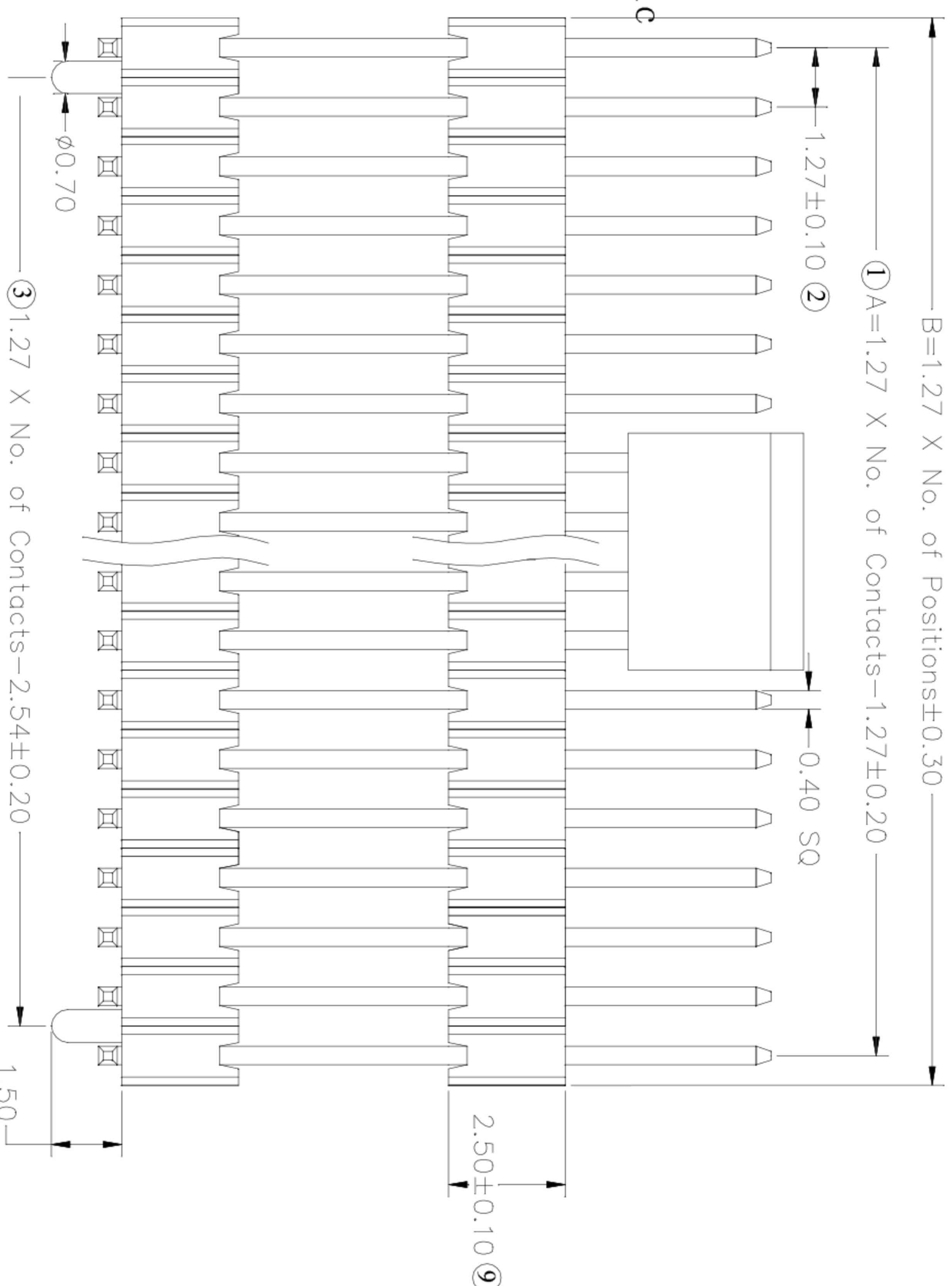
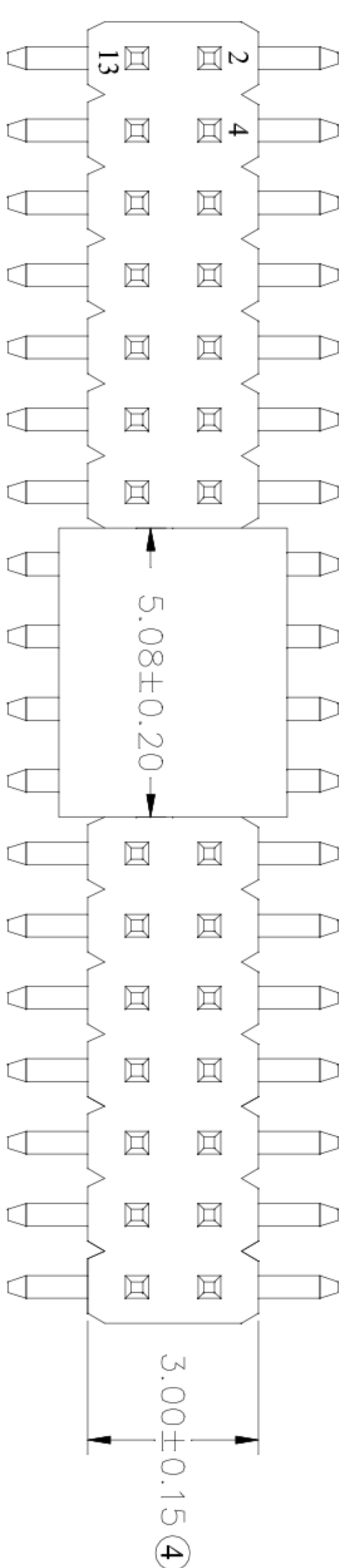


1.27*1.27mm (0.050"*0.050") PIN HEADER, DUAL ROW, SMT

H=2.5mm

SPECIFICATIONS

Current Rating:1AMP
 Contact Resistance:20mΩ Max
 Insulation Resistance:1000MΩ Min
 Withstand Voltage:500V AC/minute
 Operation Temperature:-40°Cto+105°C
 Contact:Brass
 plating:Au or Sn Over 30u" Ni
 Insulator:High Temperature Thermoplastic
 UL94V-0 Rated
 Standard:PA6T+30%G.F



Recommended PCB Layout

No. of PIN/ROW	Dimension Information	
	A	B
02	1.27	2.54
03	2.54	3.81
04	3.81	5.08
05	5.08	6.35
06	6.35	7.62
07	7.62	8.89
08	8.89	10.16
09	10.16	11.43
10	11.43	12.70
11	12.70	13.97
12	13.97	15.24
13	15.24	16.51
14	16.51	17.78
15	17.78	19.05
16	19.05	20.32
17	20.32	21.59
18	21.59	22.86
19	22.86	24.13
20	24.13	25.40
21	25.40	26.67
22	26.67	27.94
23	27.94	29.21
24	29.21	30.48
25	30.48	31.75
26	31.75	33.02
27	33.02	34.29
28	34.29	35.56
29	35.56	36.83
30	36.83	38.10
31	38.10	39.37
32	39.37	40.64
33	40.64	41.91
34	41.91	43.18
35	43.18	44.45
36	44.45	45.72
37	45.72	46.99
38	46.99	48.26
39	48.26	49.53
40	49.53	50.80
41	50.80	52.07
42	52.07	53.34
43	53.34	54.61
44	54.61	55.88
45	55.88	57.15
46	57.15	58.42
47	58.42	59.69
48	59.69	60.96
49	60.96	62.23
50	62.23	63.50

APPROVALS		DATE	TITLE:	
DRAWN	ZHIWEI.CHEN	2015.07.07	1.27mm Cimp Style Connector	
CHECKED			PART NO. GP26-1270WVS-2XNP-2A	
APPROVALS			SCALE: 1:1	
TOLERANCES ARE			PRD:	
	30~以上 ±0.30		SHEET 1 OF 1	
	10~30 ±0.20			
	5~10 ±0.15			
	~ 5 ±0.10			
ANGLE	±2°			
UNIT: mm				
DRAWING NO.				

深圳市联丰电子有限公司
 SHENZHEN LIANFENG ELECTRONIC CO.,LTD

ECN NO.	REV.	DATE.	DESCRIPTION.
	A		NEW