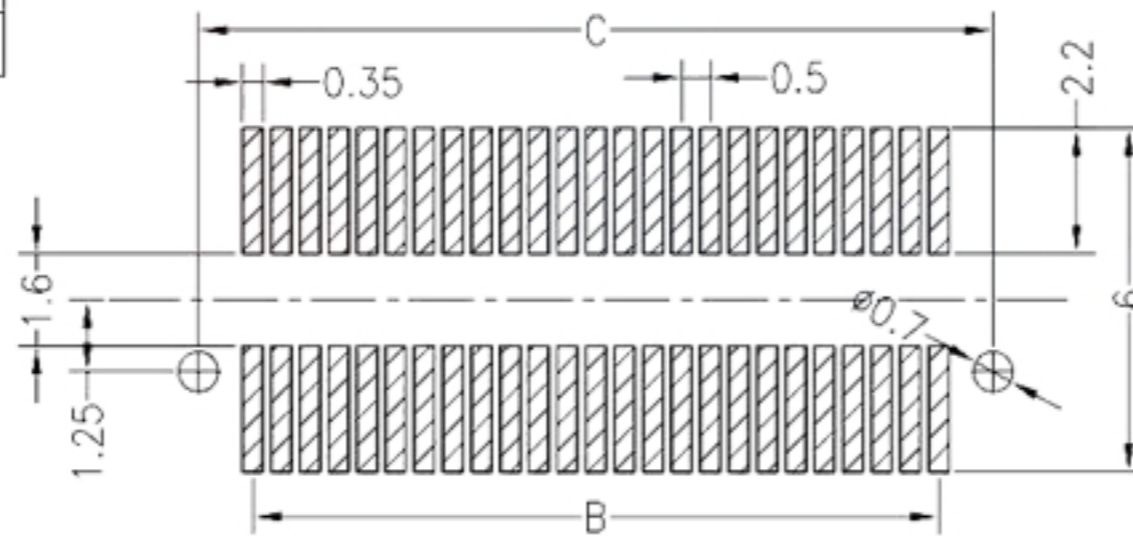
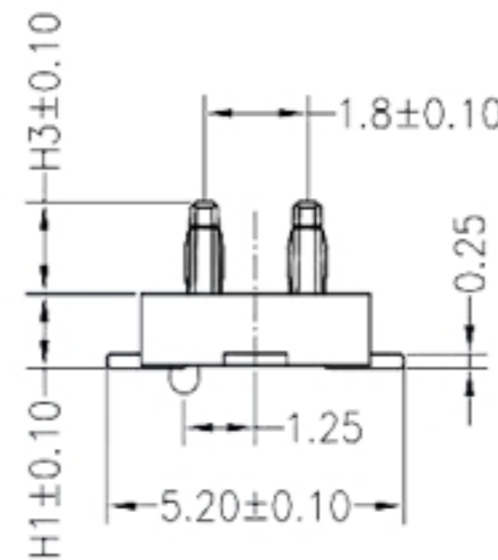
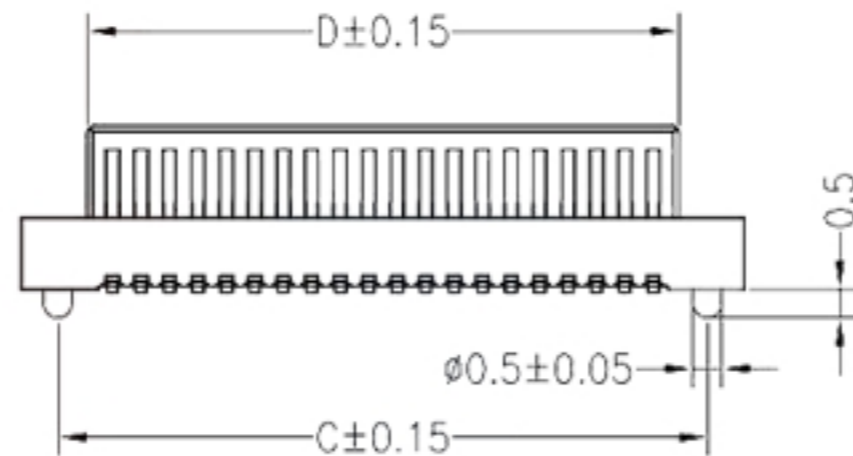
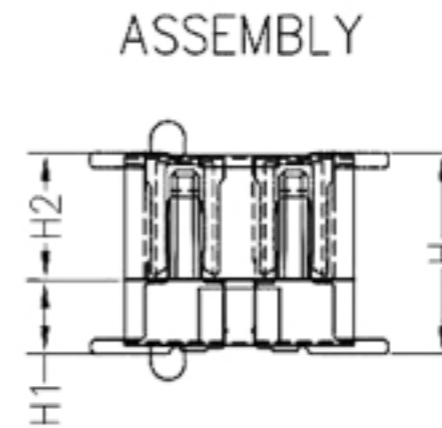
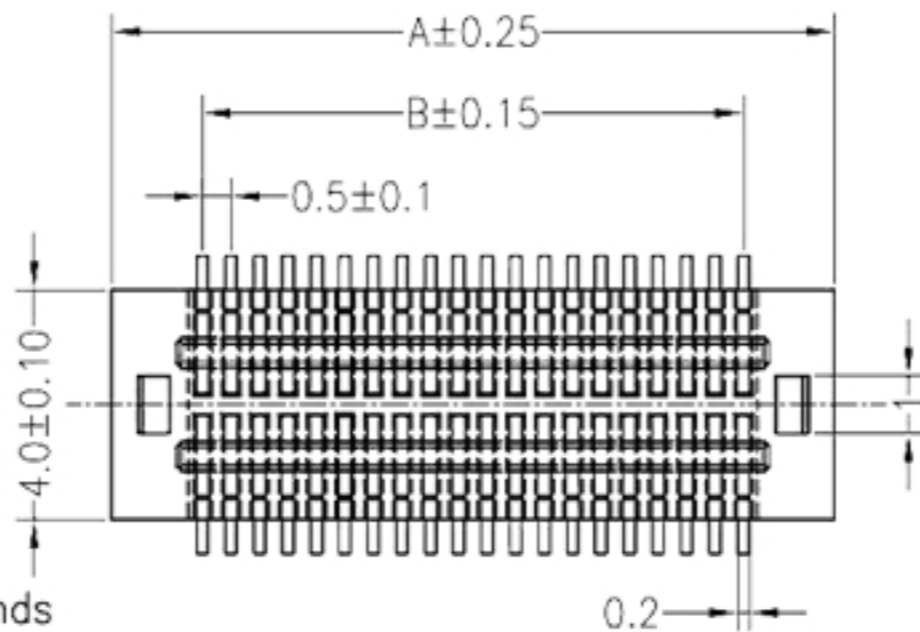


# HSF RoHS

## SPECIFICATIONS

Electical Rating:AC/DC 50V 0.5A  
 Insulation Resistance: 500MΩ  
 Withstang Volt:200V AC/minute  
 Opratng Temperature:-40°C to +105°C

Contact Material:Phosphor Bronze  
 Contact: Au Over Ni  
 Insulator Material:PA9T/LCP(UL94V-0)  
 Max.Processing Temp: 230°C for 30-60 seconds  
 (260°C for 10 seconds)



Recommended P.C.B Layout(Top Side)

Ass'y High(H)	Plastic High		
	Male(H1)	Female(H2)	H3
6.50	2.00	4.50	1.90
6.00	2.00	4.00	1.90
5.50	2.00/1.00	3.50/4.50	1.90
5.00	2.00/1.00	3.00/4.00	1.90
4.50	1.00	3.50	1.90
4.00	1.00	3.00	1.90
3.50	1.30	2.20	1.60
3.00	0.80	2.20	1.60

## Ordering Information

3723 M XXX XXX XX X X 01

F=Female  
 M=Male  
 No.of pins  
 08~100P  
 Plastic Hight  
 020=2.00mm  
 013=1.30mm  
 010=1.00mm  
 080=0.80mm  
 Contact Plating  
 G0:Gold Flash  
 G1:3U\* Gold  
 G2:5U\* Gold  
 G3:10U\* Gold  
 G4:15U\* Gold  
 G5:30U\* Gold  
 S0:Gold Flash/Tin  
 Insulator Material  
 Option  
 D=BK-PA46  
 E=BK-PA9T  
 F=BK-LCP  
 Packing  
 T:Tube  
 R:Reel

NO.OF Contacts	Dimensions(mm)			
	A	B	C	D
8	4.70	1.50	3.40	2.40
10	5.20	2.00	3.90	2.90
12	5.70	2.50	4.40	3.40
14	6.20	3.00	4.90	3.90
16	6.70	3.50	5.40	4.40
18	7.20	4.00	5.90	4.90
20	7.70	4.50	6.40	5.40
22	8.20	5.00	6.90	5.90
24	8.70	5.50	7.40	6.40
26	9.20	6.00	7.90	6.90
28	9.70	6.50	8.40	7.40
30	10.20	7.00	8.90	7.90
32	10.70	7.50	9.40	8.40
34	11.20	8.00	9.90	8.90
36	11.70	8.50	10.40	9.40
38	12.20	9.00	10.90	9.90
40	12.70	9.50	11.40	10.40
42	13.20	10.00	11.90	10.90
44	13.70	10.50	12.40	11.40
46	14.20	11.00	12.90	11.90
48	14.70	11.50	13.40	12.40
50	15.20	12.00	13.90	12.90
52	15.70	12.50	14.40	13.40
54	16.20	13.00	14.90	13.90
56	16.70	13.50	15.40	14.40
58	17.20	14.00	15.90	14.90
60	17.70	14.50	16.40	15.40
62	18.20	15.00	16.90	15.90
64	18.70	15.50	17.40	16.40
66	19.20	16.00	17.90	16.90
68	19.70	16.50	18.40	17.40
70	20.20	17.00	18.90	17.90
72	20.70	17.50	19.40	18.40
74	21.20	18.00	19.90	18.90
76	21.70	18.50	20.40	19.40
78	22.20	19.00	20.90	19.90
80	22.70	19.50	21.40	20.40
82	23.20	20.00	21.90	20.90
84	23.70	20.50	22.40	21.40
86	24.20	21.00	22.90	21.90
88	24.70	21.50	23.40	22.40
90	25.20	22.00	23.90	22.90
92	25.70	22.50	24.40	23.40
94	26.20	23.00	24.90	23.90
96	26.70	23.50	25.40	24.40
98	27.20	24.00	25.90	24.90
100	27.70	24.50	26.40	25.40

		OPERATION		DRAW	BEN	16.11.11	SCALE	FIT	<b>深圳市联丰盈电子有限公司</b> SHENZHEN LINFENYING ELECTRONIC CO.,LTD	
		X.X	±0.30				UNIT	mm		
		X.XX	±0.20	CHECK			SIZE	A4	PART NO. 3723MXXXXXXXXXX01	
		X.XXX	±0.10				SHEET	1/1	TITLE: 0.50mm BTB NPin Male header of widening double groove,with peg and ground strap,smt type	
AO	2016.11.11	NEW DRAWING		APPROVE			PROJ.			
REV	DATE	MODIFICATION DESCRIPTION		CHANGE	DIM	TOL				