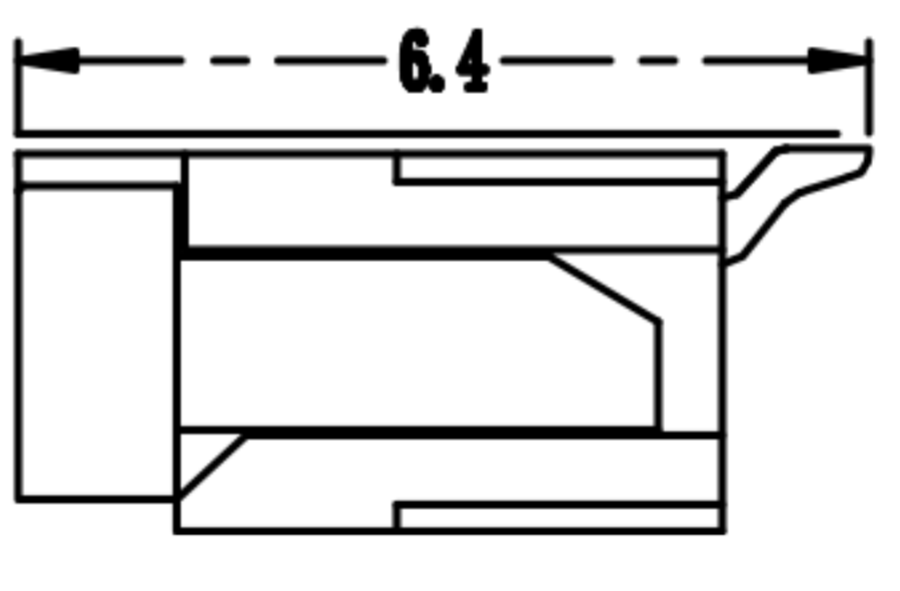
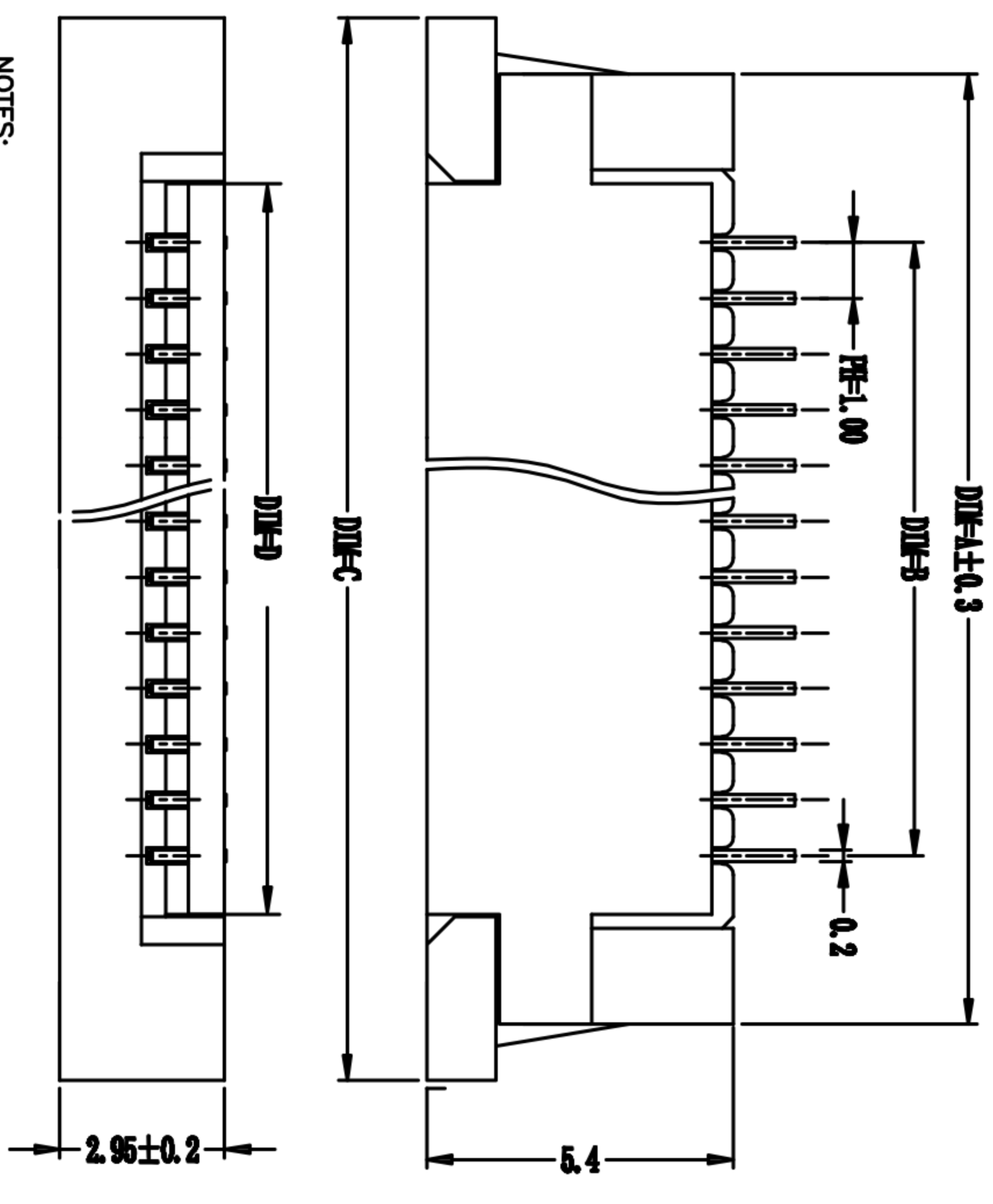


Material Description:
 Contact: Phosphor Bronze Tin-plated(RoHS)
 Solder Tab: Phosphor Bronze Tin-plated(RoHS)
 Housing: Thermoplastic(LCP)(UL94V-0)(RoHS)
 Slider: Thermoplastic(LCP)(UL94V-0)(RoHS)



下接触

PIN数	DIM=A	DIM=B	DIM=C	DIM=D
40P	45.1	39.0	47.0	41.1
39P	44.1	38.0	46.0	40.1
38P	43.1	37.0	45.0	39.1
37P	42.1	36.0	44.0	38.1
36P	41.1	35.0	43.0	37.1
35P	40.1	34.0	42.0	36.1
34P	39.1	33.0	41.0	35.1
33P	38.1	32.0	40.0	34.1
32P	37.1	31.0	39.0	33.1
31P	36.1	30.0	38.0	32.1
30P	35.1	29.00	37.0	31.10
29P	34.1	28.00	36.0	30.10
28P	33.1	27.00	35.0	29.10
27P	32.1	26.00	34.0	28.10
26P	31.1	25.00	33.0	27.10
25P	30.1	24.00	32.0	26.10
24P	29.1	23.00	31.0	25.10
23P	28.1	22.00	30.0	24.10
22P	27.1	21.00	29.0	23.10
21P	26.1	20.00	28.0	22.10
20P	25.1	19.00	27.0	21.10
19P	24.1	18.00	26.0	20.10
18P	23.1	17.00	25.0	19.10
17P	22.1	16.00	24.0	18.10
16P	21.1	15.00	23.0	17.10
15P	20.1	14.00	22.0	16.10
14P	19.1	13.00	21.0	15.10
13P	18.1	12.00	20.0	14.10
12P	17.1	11.00	19.0	13.10
11P	16.1	10.00	18.0	12.10
10P	15.1	9.00	17.0	11.10
9P	14.1	8.00	16.0	10.10
8P	13.1	7.00	15.0	9.10
7P	12.1	6.00	14.0	8.10
6P	11.1	5.00	13.0	7.10
5P	10.1	4.00	12.0	6.10
4P	9.1	3.00	11.0	5.10

NOTES:
 1. PLASTIC BURRS 0.1mm MAX

ECN NO.	REV.	DATE.	DESCRIPTION.	CHANGE.	CHECK.	APPRO.															
	A		NEW																		
<table border="1"> <thead> <tr> <th colspan="2">APPROVALS</th> <th>DATE</th> </tr> </thead> <tbody> <tr> <td>DRAWN</td> <td>ZHIWEI.CHEN</td> <td>2015.07.07</td> </tr> <tr> <td>CHECKED</td> <td></td> <td></td> </tr> <tr> <td>APPROVALS</td> <td></td> <td></td> </tr> </tbody> </table>							APPROVALS		DATE	DRAWN	ZHIWEI.CHEN	2015.07.07	CHECKED			APPROVALS					
APPROVALS		DATE																			
DRAWN	ZHIWEI.CHEN	2015.07.07																			
CHECKED																					
APPROVALS																					
<table border="1"> <thead> <tr> <th colspan="2">TOLERANCES ARE</th> <th>ANGLE</th> </tr> </thead> <tbody> <tr> <td>30~以上</td> <td>±0.30</td> <td></td> </tr> <tr> <td>10~30</td> <td>±0.20</td> <td></td> </tr> <tr> <td>5~10</td> <td>±0.15</td> <td></td> </tr> <tr> <td>~ 5</td> <td>±0.10</td> <td>±2°</td> </tr> </tbody> </table>							TOLERANCES ARE		ANGLE	30~以上	±0.30		10~30	±0.20		5~10	±0.15		~ 5	±0.10	±2°
TOLERANCES ARE		ANGLE																			
30~以上	±0.30																				
10~30	±0.20																				
5~10	±0.15																				
~ 5	±0.10	±2°																			
<table border="1"> <thead> <tr> <th>TITLE:</th> <th>PART NO.</th> </tr> </thead> <tbody> <tr> <td>FPC 1.00mm Connector</td> <td>GP10-WSLN-XXP-F-X01</td> </tr> </tbody> </table>			TITLE:	PART NO.	FPC 1.00mm Connector	GP10-WSLN-XXP-F-X01	<table border="1"> <thead> <tr> <th>UNIT:</th> <th>SCALE:</th> <th>PROJ:</th> <th>SHEET</th> </tr> </thead> <tbody> <tr> <td>mm</td> <td>1:1</td> <td>☉</td> <td>1 OF 1</td> </tr> </tbody> </table>				UNIT:	SCALE:	PROJ:	SHEET	mm	1:1	☉	1 OF 1			
TITLE:	PART NO.																				
FPC 1.00mm Connector	GP10-WSLN-XXP-F-X01																				
UNIT:	SCALE:	PROJ:	SHEET																		
mm	1:1	☉	1 OF 1																		
<p>深圳市联丰电子有限公司 SHENZHEN LINFENGYING ELECTRONIC CO.,LTD</p>																					